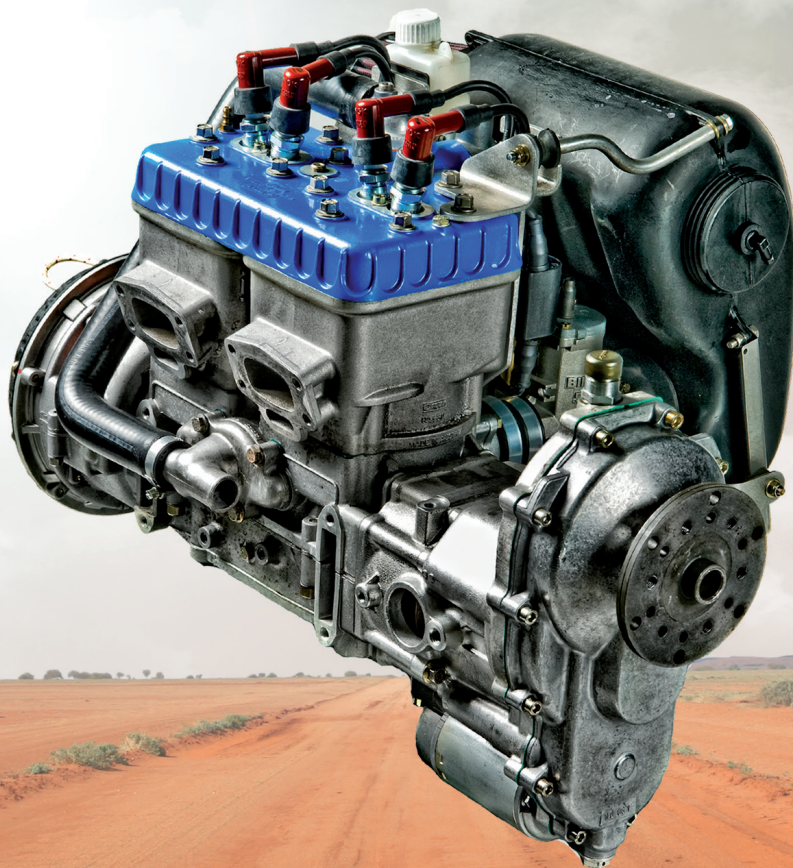


ROTAX®

ILLUSTRATED PARTS CATALOG

FOR ROTAX® ENGINE TYPE 582 UL SERIES



ROTAX® 582 UL DCDI Mod. 99 WITH OPTIONS

ROTAX® 582 UL DCDI Mod. 17 WITH OPTIONS

WARNING

These technical data and the information embodied therein are the property of BRP-Rotax GmbH & CO KG, Austria, acc, BGBl 1984 no. 448, and shall not, without prior written permission of BRP-Rotax GmbH & Co KG, be disclosed in whole or in part to third parties. This legend shall be included on any reproduction of these data, in whole or in part. The Manual must remain with the engine/aircraft in case of sale.

ROTAX[®] is a trade mark of BRP-Rotax GmbH & Co KG. In the following document the short form of BRP-Rotax GmbH & Co KG = BRP-Rotax is used.

Other product names in this documentation are used purely for ease of identification and may be trademarks of the respective company or owner.

Copyright 2020 © - all rights reserved.

Translation into other languages might be performed in the course of language localization but does not lie within ROTAX[®] scope of responsibility.

In any case the original text in English language and the metric units are authoritative.

BRP-Rotax

ILLUSTRATED PARTS CATALOG

Chapter) / TOC

TABLE OF CONTENT

Table of content	TOC
List of effective pages	LEP
Table of amendments	TOA
00-00-00	
General note	Page 1
Explanation	Page 3
Engine view and denomination of the cylinders.....	Page 3
Repeating symbols	Page 4
Structure	Page 4
Repair tools.....	Page 9
Repair tools and Gasket set	Page 13
Repair tools and Gasket set for Gearbox config. "B, C, E"	Page 17
Lubricant adhesives and sealing compound.....	Page 21
Documentation.....	Page 25
24-00-00	
Rectifier-regulator, Starter relay.....	Page 29
Wiring accessories.....	Page 31
Ducati Magneto-Generator 12 V170W, Starting Pulley	Page 35
Ignition coils, oil tank.....	Page 39
72-10-00	
Reduction gearbox "B": I= 2.00, I= 2.24 or I= 2.58	Page 43
Reduction gearbox "C": I= 2.62, I= 3.00, I= 3.47 or I= 4.00	Page 47
Reduction gearbox "E": I= 2.62, I= 3.00, I= 3.47 or I= 4.00	Page 53
72-20-00	
Crankcase, Rotary valve drive, Waterpump	Page 59
Crankshaft, Bearings, Piston	Page 65
72-30-00	
Cylinder, Cylinder head	Page 69
73-00-00	
Bing double float carburetor 36 mm, Model 96.....	Page 73

d06450.fm

BRP-Rotax
ILLUSTRATED PARTS CATALOG

73-10-00	Air filter (single/double)	Page 81
	Intake silencer	Page 85
	Fuel pump, Primer-pump for double carburetor	Page 91
75-20-00	2-piece radiator set (low configuration)	Page 95
	2-piece radiator set (high configuration).....	Page 98
	2-piece radiator set for inverted engine installation.....	Page 103
	1-piece radiator, overflow bottle and expansion tank.....	Page 107
76-20-00	Instruments	Page 111
	FLY-DAT unit	Page 115
	FLY-DAT monitoring/communication set	Page 119
78-10-00	Overview of the exhaust systems	Page 121
	Exhaust systems configuration: Sidemount	Page 125
	Exhaust systems configuration: 1x90° with connecting elbow and 2x90°	Page 129
	Exhaust systems configuration: Straight	Page 133
	Exhaust systems single parts.....	Page 137
	AFT-Muffler assy., clamped configuration.....	Page 141
	Exhaust systems	Page 145
79-00-00	Oil tank assy.....	Page 149
	Rotary valve cover, Oil pump drive, Oil pump.....	Page 153
80-10-00	Electric starter, Configuration magneto side	Page 157
	Electric starter-single parts, Configuration magneto side.....	Page 161
	Electric starter-single parts, Int. in reduction gear "E"	Page 165
80-20-00	Rewind starter	Page 169

BRP-Rotax

ILLUSTRATED PARTS CATALOG

Chapter) LEP

LIST OF EFFECTIVE PAGES

Chapter	Page	Date
	Title page	Jan. 01 2019
TOC	TOC - 1 TOC - 2	Jan. 01 2019 Jan. 01 2019
LEP	LEP - 1 LEP - 2	March 01 2020 March 01 2020
TOA	TOA - 1 TOA - 2	March 01 2020 March 01 2020
00-00-00	1	Jan. 01 2019
	2	Jan. 01 2019
	3	Jan. 01 2019
	4	Jan. 01 2019
	5	Jan. 01 2019
	6	Jan. 01 2019
	7	Jan. 01 2019
	8	Jan. 01 2019
	9	Jan. 01 2019
	10	Jan. 01 2019
	11	Jan. 01 2019
	12	Jan. 01 2019
	13	Jan. 01 2019
	14	Jan. 01 2019
	15	Jan. 01 2019
	16	Jan. 01 2019
	17	Jan. 01 2019
	18	Jan. 01 2019
	19	Jan. 01 2019
	20	Jan. 01 2019
	21	Jan. 01 2019
	22	Jan. 01 2019
	23	Jan. 01 2019
	24	Jan. 01 2019
	25	Jan. 01 2019
	26	Jan. 01 2019
24-00-00	27	Jan. 01 2019
	28	Jan. 01 2019
	29	Jan. 01 2019
	30	Jan. 01 2019
	31	Jan. 01 2019
	32	Jan. 01 2019
	33	Jan. 01 2019
	34	Jan. 01 2019
	35	March 01 2020
	36	Jan. 01 2019

Chapter	Page	Date	
24-00-00	37	Jan. 01 2019	
	38	Jan. 01 2019	
	39	Jan. 01 2019	
	40	March 01 2020	
	72-10-00	41	Jan. 01 2019
		42	Jan. 01 2019
		43	March 01 2020
		44	March 01 2020
		45	Jan. 01 2019
		46	Jan. 01 2019
47		March 01 2020	
48		March 01 2020	
49		March 01 2020	
50		Jan. 01 2019	
72-20-00	51	Jan. 01 2019	
	52	Jan. 01 2019	
	53	March 01 2020	
	54	March 01 2020	
	55	March 01 2020	
	56	Jan. 01 2019	
	57	Jan. 01 2019	
	58	Jan. 01 2019	
	59	March 01 2020	
	60	Jan. 01 2019	
73-00-00	61	Jan. 01 2019	
	62	Jan. 01 2019	
	63	Jan. 01 2019	
	64	Jan. 01 2019	
	65	March 01 2020	
	66	Jan. 01 2019	
	67	Jan. 01 2019	
	68	Jan. 01 2019	
	69	March 01 2020	
	70	March 01 2020	
	71	Jan. 01 2019	
	72	March 01 2020	
	73	March 01 2020	
	74	March 01 2020	
	75	March 01 2020	
	76	March 01 2020	
	77	Jan. 01 2019	
	78	Jan. 01 2019	

d06830.fm

BRP-Rotax
ILLUSTRATED PARTS CATALOG

Chapter	Page	Date
73-10-00	79	Jan. 01 2019
	80	Jan. 01 2019
	81	Jan. 01 2019
	82	Jan. 01 2019
	83	Jan. 01 2019
	84	Jan. 01 2019
	85	Jan. 01 2019
	86	Jan. 01 2019
	87	Jan. 01 2019
	88	Jan. 01 2019
75-20-00	89	Jan. 01 2019
	90	Jan. 01 2019
	91	Jan. 01 2019
	92	Jan. 01 2019
	93	Jan. 01 2019
	94	Jan. 01 2019
	95	Jan. 01 2019
	96	Jan. 01 2019
	97	Jan. 01 2019
	98	Jan. 01 2019
76-20-00	99	Jan. 01 2019
	100	Jan. 01 2019
	101	Jan. 01 2019
	102	Jan. 01 2019
	103	Jan. 01 2019
	104	Jan. 01 2019
	105	Jan. 01 2019
	106	Jan. 01 2019
	107	Jan. 01 2019
	108	Jan. 01 2019
78-10-00	109	Jan. 01 2019
	110	Jan. 01 2019
	111	Jan. 01 2019
	112	Jan. 01 2019
	113	Jan. 01 2019
	114	Jan. 01 2019
	115	Jan. 01 2019
	116	Jan. 01 2019
	117	Jan. 01 2019
	118	Jan. 01 2019
78-10-00	119	Jan. 01 2019
	120	Jan. 01 2019
	121	Jan. 01 2019
	122	Jan. 01 2019
	123	Jan. 01 2019
	124	Jan. 01 2019
	125	Jan. 01 2019
	126	Jan. 01 2019
	127	Jan. 01 2019

Chapter	Page	Date
78-10-00	128	Jan. 01 2019
	129	Jan. 01 2019
	130	Jan. 01 2019
	131	Jan. 01 2019
	132	Jan. 01 2019
	133	Jan. 01 2019
	134	Jan. 01 2019
	135	Jan. 01 2019
	136	Jan. 01 2019
	137	Jan. 01 2019
79-00-00	138	Jan. 01 2019
	139	Jan. 01 2019
	140	Jan. 01 2019
	141	March 01 2020
	142	Jan. 01 2019
	143	Jan. 01 2019
	144	Jan. 01 2019
	145	Jan. 01 2019
	146	Jan. 01 2019
	147	Jan. 01 2019
80-10-00	148	Jan. 01 2019
	149	Jan. 01 2019
	150	Jan. 01 2019
	151	Jan. 01 2019
	152	Jan. 01 2019
	153	March 01 2020
	154	March 01 2020
	155	Jan. 01 2019
	156	Jan. 01 2019
	157	March 01 2020
80-20-00	158	Jan. 01 2019
	159	Jan. 01 2019
	160	Jan. 01 2019
	161	Jan. 01 2019
	162	March 01 2020
	163	Jan. 01 2019
	164	Jan. 01 2019
	165	Jan. 01 2019
	166	Jan. 01 2019
	167	Jan. 01 2019
80-20-00	168	Jan. 01 2019
	169	March 01 2020
	170	Jan. 01 2019

d06830.fm

BRP-Rotax

ILLUSTRATED PARTS CATALOG

Chapter) TOA

TABLE OF AMENDMENTS

current no.	chapter	page	date of change	remark of approval	date of approval from authorities	date of issue	signature
0	TOC	all	Jan. 01 2019				
0	LEP	all	Jan. 01 2019				
0	TOA	all	Jan. 01 2019				
0	00-00-00	all	Jan. 01 2019				
0	24-00-00	all	Jan. 01 2019				
0	72-10-00	all	Jan. 01 2019				
0	72-20-00	all	Jan. 01 2019				
0	72-30-00	all	Jan. 01 2019				
0	73-00-00	all	Jan. 01 2019				
0	73-10-00	all	Jan. 01 2019				
0	74-20-00	all	Jan. 01 2019				
0	75-20-00	all	Jan. 01 2019				
0	76-20-00	all	Jan. 01 2019				
0	78-10-00	all	Jan. 01 2019				
0	79-00-00	all	Jan. 01 2019				
0	80-10-00	all	Jan. 01 2019				
0	80-20-00	all	Jan. 01 2019				
1	LEP	all	March 01 2020				
1	TOA	all	March 01 2020				
1	24-00-00	35,40	March 01 2020				
1	72-10-00	43,44,47- 49,53-55	March 01 2020				
1	72-20-00	59,65	March 01 2020				
1	73-00-00	69,70,72- 76	March 01 2020				
1	78-10-00	141	March 01 2020				
1	79-00-00	153	March 01 2020				
1	80-10-00	157,162	March 01 2020				
1	80-20-00	169	March 01 2020				

d06831.fm

BRP-Rotax

ILLUSTRATED PARTS CATALOG

Chapter) TOA

Content

Summary of the relevant amendments in this context, but makes no claim to completeness.

current no.	chapter	page	date of change	comments
0	all	all	January 01 2019	Correct assignment of parts per engine, change of part numbers, update of illustrations
1	24-00-00 72-10-00 72-20-00 73-00-00 78-10-00 79-00-00 80-10-00 80-20-00	35,40 43,44,47-49,53-55 59,65 69,70,72-76 141 153 157,162 169	March 01 2020	Update of part numbers and illustrations

d06831.fm

BRP-Rotax

ILLUSTRATED PARTS CATALOG

Chapter) 00-00-00

GENERAL NOTE

Modification

The information and components-/system descriptions contained in this Illustrated Parts Catalog are correct at the time of publication. BRP-Rotax, however, maintains a policy of continuous improvement of its products without imposing upon itself any obligation to install them on its products previously manufactured. BRP-Rotax reserves the right at any time to discontinue or change specification, designs, features, models or equipment without incurring obligation.

Note

This Illustrated Parts Catalog is not an offer to sell parts, but a catalog illustrating the parts available at ROTAX® authorized distributors. BRP-Rotax reserves the right to deliver the components (crankshaft, crankcase, special tools etc.) only to organizations with respective qualifications.

Color variations

Color variations on unpainted castings:

On unpainted surfaces (i.e. aluminum cases) minor color variations (i.e. gray tone on aluminum surface) are possible due to the manufacturing process. Such possible color variations do not affect the quality of the product and are no reason for rejection - even a color variation on castings in differing areas is acceptable.

Tightening torque

Generally all the fasteners on a ROTAX® engine are tightened with a torque wrench. The tightening must always be done according to the content of the latest Maintenance Manual Heavy for the respective engine type.

BRP-Rotax

ILLUSTRATED PARTS CATALOG

Illustration

The Illustrations in this spare parts catalog show the typical construction. They may not represent full detail or the exact shape of the parts which have the same or similar function.

ACHTUNG

Our exploded views are no technical drawings and are fashioned in various scales. We have tried our best to depict true to the original but any deduction of dimensions and other information is not permissible.

Revisions

This Illustrated Parts Catalog (IPC) will be revised as required.

NOTES: Date of issue or number of revision is printed on cover and bottom end of page.

Classification

ASTM 2339-04 LSA classification

Engine Type 582 UL mod. 99 conform to the requirements of the ASTM classification starting from engine S/N 6140347 up to S/N 9619115 inclusive.

Engine Type 582 UL mod. 2017 conform to the requirements of the ASTM classification starting from engine S/N 9619116.

Some components and accessory parts are not compliant.

Primer pump	Chapter 73-10-00
Fuel pressure gauge	Chapter 76-20-00
Oil tank set	Chapter 79-20-00
Oil filter	Chapter 79-20-00
Revolution counter	Chapter 76-20-00
Hour meter	Chapter 76-20-00
FLY dat	Chapter 76-20-00
Sensor set 582	Chapter 76-20-00

BRP-Rotax

ILLUSTRATED PARTS CATALOG

1) Introduction

1.1) Explanation

As obvious from the cover, this Illustrated Parts Catalog covers the current 2-stroke UL-aircraft engines ROTAX® 582 UL mod. 99 and mod. 2017.

Besides the engine-specific parts, the most popular accessories are listed too.

Engine serial number

On all inquiries or spare part orders, always indicate engine serial number, as the manufacturer makes modification to engine for further development.

The engine serial number (1) is located on water cooled ROTAX® 2-stroke engines at the crankcase assy. See [Fig 1](#).

1.2) Engine view and denomination of the cylinders

PTO	power take off side
MAG	magneto side

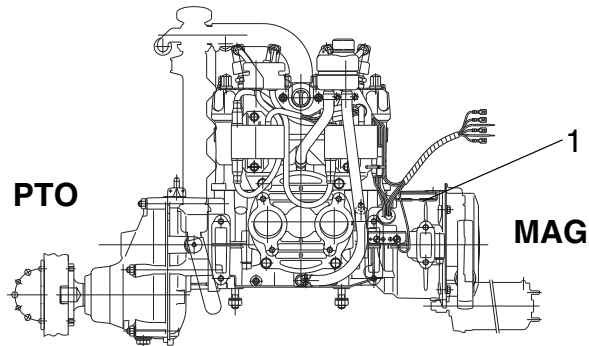


Fig 1

BRP-Rotax

ILLUSTRATED PARTS CATALOG

1.3) Repeating symbols

Safety notice

This catalog uses the following symbols to emphasize particular information. These indications are important and must be respected.



Identifies an instruction which, if not followed, may cause serious injury including the possibility of death.



Identifies an instruction which, if not followed, may cause minor or moderate injury.

NOTICE

Denotes an instruction which, if not followed, may severely damage the engine or other component.

NOTES:

Indicates supplementary information which may be needed to fully complete or understand an instruction.



In illustrations this sign indicates you the position of the current serial number (e.g. on crankshaft, camshaft, etc.)



A revision bar outside of the page margin indicates a change to text or graphic.

1.4) Structure

Exploded view

Each Chapter starts with an exploded view of the type 582 UL on the left side. The corresponding heading and the listing of the parts is on the right side and the following pages.

The numbering on the exploded view is in the sequence of assembly as good as practicable.

For prevention of errors and to simplify exchange we tried best to list the part number of each component only once. But for better understanding components are frequently depicted without being listed, but referred to a respective Chapter, if considered necessary.

Engine-column

For each engine type the right amount of spare parts per engine is listed in the relevant engine-column.

If the quantity is in brackets it indicates that the part is not absolutely necessary but optional on the respective engine type.

A small letter added to the number refers to information at the end of the Chapter.

No number in the column parts per assembly indicates that this part is not planned for the respective engine.

BRP-Rotax

ILLUSTRATED PARTS CATALOG

Status

In the column "status" find the following statement:

N	newly introduced part
s.v.	still valid, part was replaced by compatible component and can not be supplied any longer by the producer. Existing stock may be used.
n.a.	not available
AR	as required

FIG. & ITEM No.	STATUS	PART No.	INDENT	Description	PARTS PER ENGINE	
					912 iSc	912 iS
1 1	N	910899	.1	FUEL PUMP ASSY	1a	1
1	s.v.	910898	.1	FUEL PUMP ASSY	(1)	1
2	n.a.	440042	.2	ALLEN SCREW M8x15	2	A.R.

Fig 2

06299

d06451.fm

BRP-Rotax
ILLUSTRATED PARTS CATALOG

INTENTIONALLY LEFT BLANK

d06451.fm

BRP-Rotax
ILLUSTRATED PARTS CATALOG

INTENTIONALLY LEFT BLANK

d06487.fm

BRP-Rotax
ILLUSTRATED PARTS CATALOG

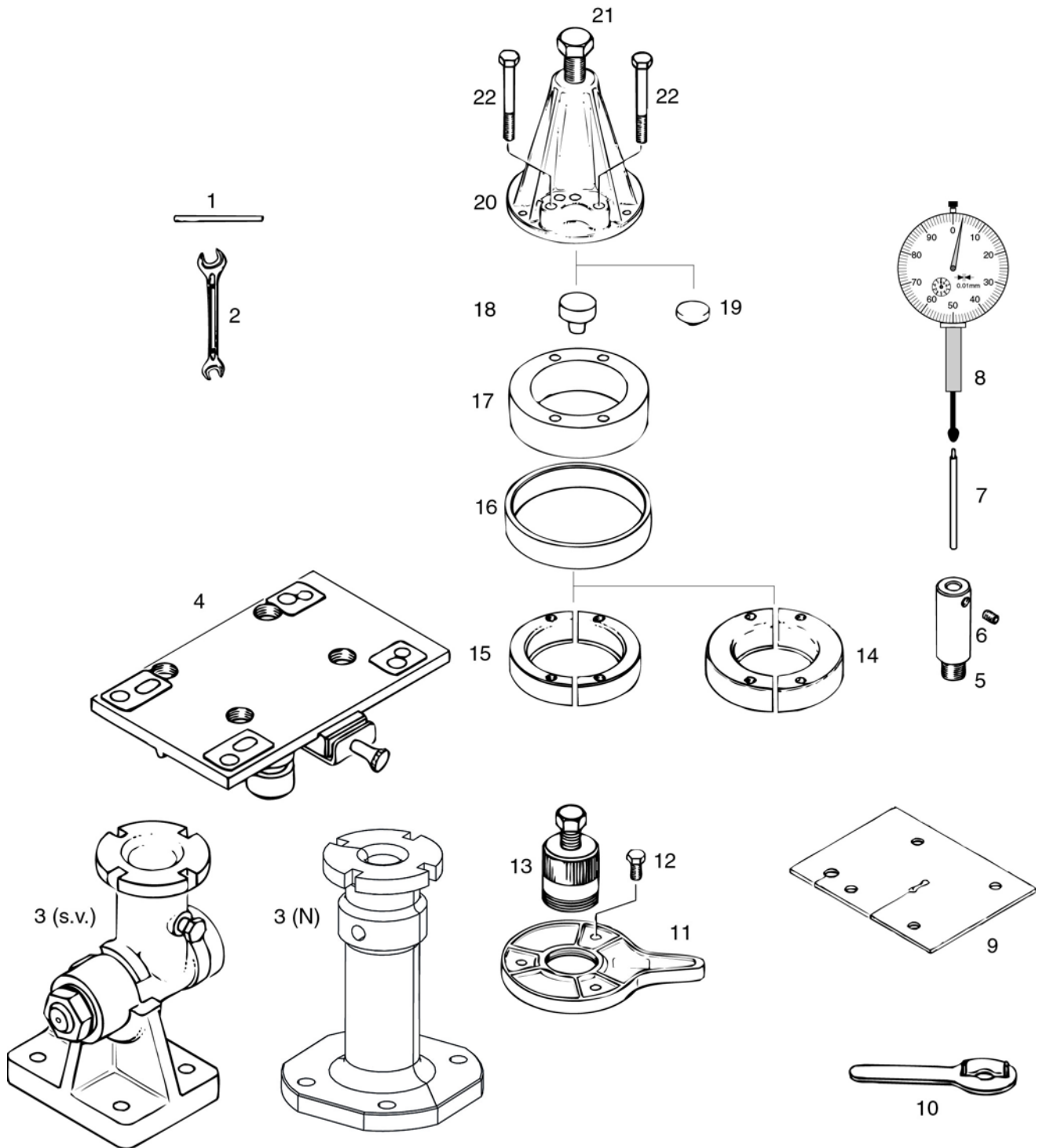


Fig. 00-00-00-1

09065
d06487.fm

BRP-Rotax
ILLUSTRATED PARTS CATALOG

Chapter) 00-00-00
REPAIR TOOLS

FIG & ITEM NO.	STATUS	PART NO.	INDENT	Description	Parts per Engine	
					582 UL mod. 99	582 UL mod. 17
1 1		876640	..2	CRANKSHAFT FIXATION BOLT	1	1
2		276065	..2	FORK WRENCH 10x13 MM	1	1
3-4	s.v.	876740	.1	TRESTLE ASSY.	1a	1a
3		877930	..2	TRESTLE SUPPORT ASSY.	1a	1a
4		876746	..2	MOUNTING PLATE WITH DETENT	1a	1a
5		876940	.1	GAUGE ADAPTER M14x1.25	1bn	
5		876942	.1	GAUGE ADAPTER M12x1.25		1bo
6		841771	.1	SET SCREW M6x8	1b	1b
7		876945	.1	GAUGE PIN	1b	1b
8		876950	.1	PRECISION DIAL GAUGE	1b	1b
9		.	.1	RUBBER PROTECTION MAT	1c	1c
10		277905	.1	WRENCH	1d	1d
11		876081	.1	PULLER PLATE	1e	1e
12		940591	.1	HEX. SCREW M8x20	3	3
13		876066	.1	PULLER M42x1.5 ASSY.	1f	1f
14		276025	.1	RING HALF	1g	1g
15		977475	.1	RING HALF	1h	1h
16		977490	.1	RING	1i	1i
17		876569	.1	DISTANCE RING 72/105/28	1j	1j
18		876552	.1	PROTECTION MUSHROOM	1k	1k
19		876557	.1	PROTECTION MUSHROOM	1l	1l
20-22		877636	.1	PULLER ASSY.	1m	1m
21		940755	..2	HEX. SCREW M16x1.5x150	1	1
22		841201	..2	HEX. SCREW M8x70	4	4

- Items not illustrated

d06487.fm

BRP-Rotax

ILLUSTRATED PARTS CATALOG

- a Usable for mod. 99, mod. 2017
- b For adjustment and control of ignition timing.
- c To cover the crankcase.
- d To hold the oil pump gear.
- e To hold the magneto flywheel.
- f For magneto flywheel.
- g For ball bearing 6206, crankshaft magneto side.
- h For ball bearing 6207, crankshaft.
- i For ring halves.
- j For puller.
- k For crankshaft P.T.O. side.
- l For crankshaft magneto side.
- m For ball bearing.
- n For spark plug thread M14x1.25
- o For spark plug thread M12x1.25

d06487.fm

BRP-Rotax
ILLUSTRATED PARTS CATALOG

INTENTIONALLY LEFT BLANK

d06488.fm

BRP-Rotax
ILLUSTRATED PARTS CATALOG

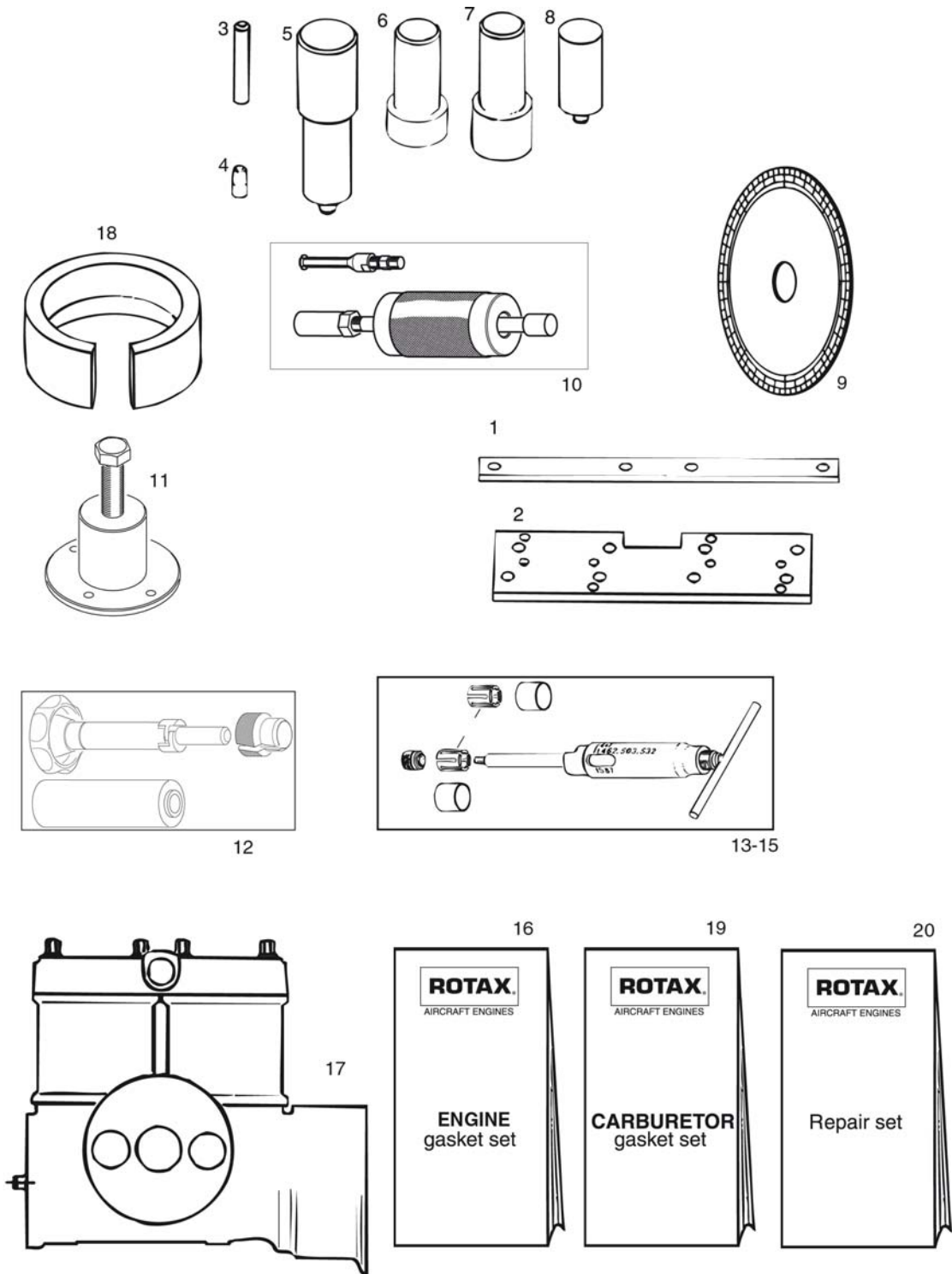


Fig. 00-00-00-2

06255

d06488.fm

BRP-Rotax

ILLUSTRATED PARTS CATALOG

Chapter) 00-00-00

REPAIR TOOLS AND GASKET SET

FIG & ITEM NO.	STATUS	PART NO.	INDENT	Description	Parts per Engine	
					582 UL mod. 99	582 UL mod. 17
1 1		876572	.1	ALIGNING TOOL	1a	1a
2		876904	.1	ALIGNING TOOL	1b	1b
3		876612	.1	EXTRUSION JIG	1c	1c
4		876980	.1	GUIDE SLEEVE	1c	1c
5		876500	.1	INSERTION JIG	1d	1d
6	s.v.	876602	.1	INSERTION JIG	1e	1e
7		876607	.1	INSERTION JIG	1f	1f
8		876512	.1	INSERTION JIG	1g	1g
9		277150	.1	DEGREE DISK	1i	1i
10		877860	.1	PULLER ASSY.	1j	1j
11		877825	.1	INSERTION JIG	1h	1h
12		877805	.1	CIRCLIP INSTALLATION TOOL	1k	1k
13-15		877091	.1	PISTON PIN EXTRACTOR ASSY.	1	1
13		877040	..2	EXPANSION SLEEVE	1	1
14		.	..2	EXTRACTING NUT ASSY.	1	1
15		877180	..2	LOCATING SLEEVE	1	1
16		886232	.1	GASKET SET	1	1
17		390058201	.1	SHORT BLOCK ENGINE	1l	
18		.	.1	PISTON RING SPANNER 76 MM (2.99 IN.)	1	1
19		996949	.1	GASKET SET CARBURETOR 2 STROKE	1mn	1mn
20		881030	.1	REPAIR SET	1o	
21		300058205	.1	SHORT BLOCK ENGINE		1p

- Items not illustrated

d06488.fm

BRP-Rotax

ILLUSTRATED PARTS CATALOG

- a For cylinder.
- b For cylinder exhaust flange.
- c For rotary valve shaft.
- d For ball bearing, rotary valve shaft.
- e For oil seal rotary valve shaft (without oil pump), intake side.
- f For oil seal rotary valve shaft (with oil pump), intake side.
- g For inner oil seal rotary valve shaft, water pump side.
- h To press in the rotary seal.
- i For rotary valve timing.
- j To pull out the rotary seal - the inner steel bushing of the rotary seal has to be removed before disassembly.
- k For fitting of piston pin circlip (monohook-circlip).
- l From engine S/N 5305901 up to S/N 9619115
- m For included parts see Chapter carburetor.
- n For carburetor 36 mm (1.42 in.).
- o No. 23 gasket set + spark plug caps, carburetor sockets, clamp 62, clamp 53, crankshaft, pistons, spark plugs.
- p From engine S/N 9619116.

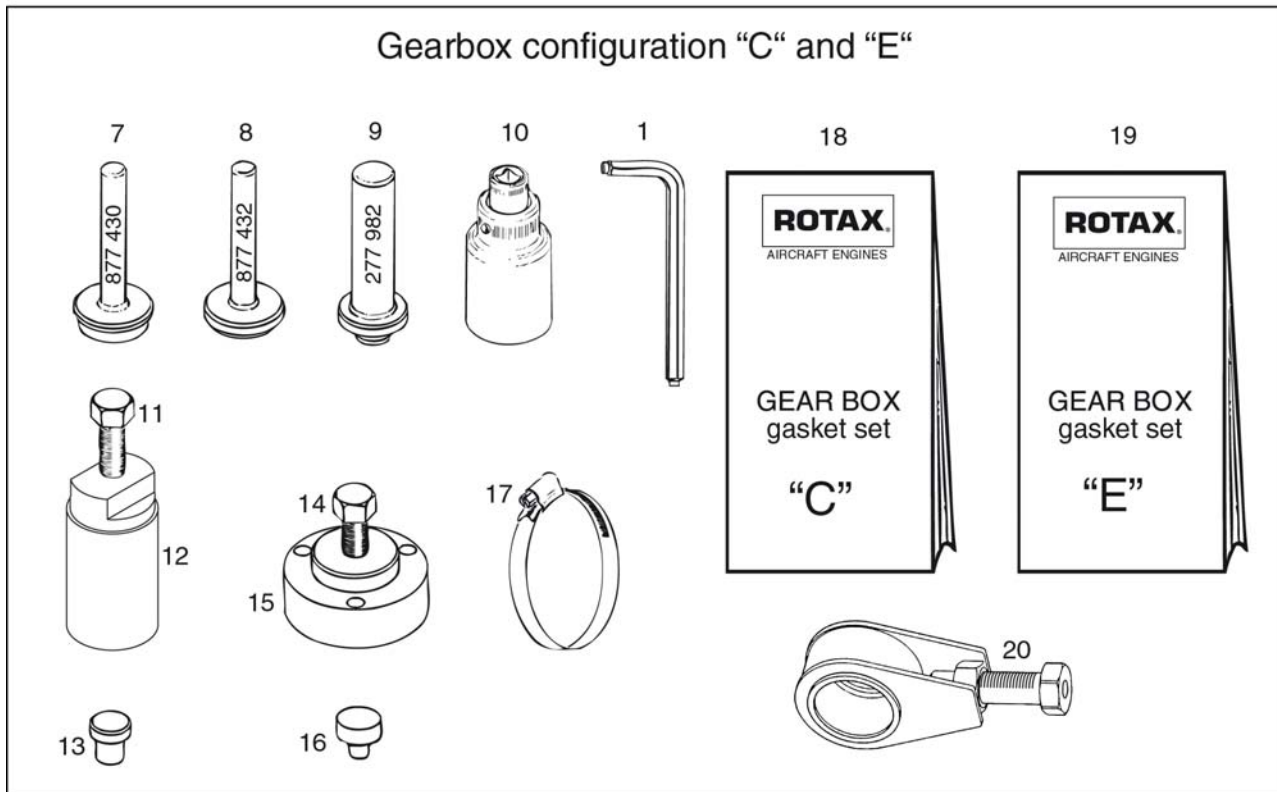
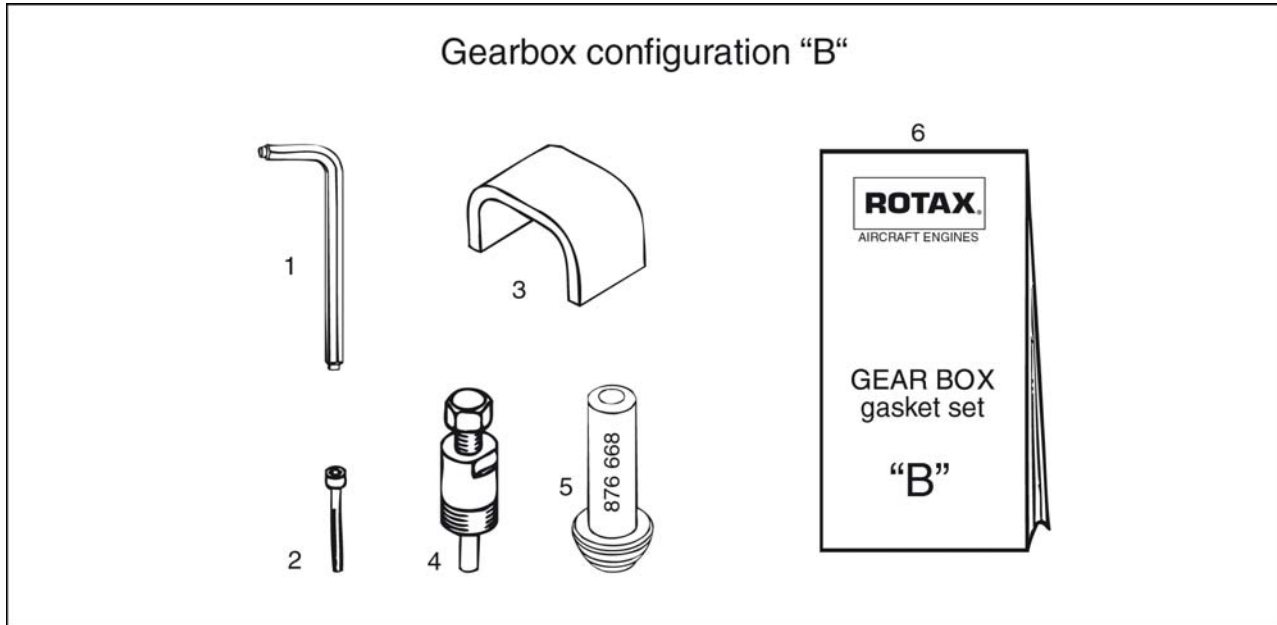
d06488.fm

BRP-Rotax
ILLUSTRATED PARTS CATALOG

INTENTIONALLY LEFT BLANK

d06623.fm

BRP-Rotax
ILLUSTRATED PARTS CATALOG



AE 2St_0494

Fig. 00-00-00-3

d06623.fm

BRP-Rotax

ILLUSTRATED PARTS CATALOG

Chapter) 00-00-00

REPAIR TOOLS AND GASKET SET FOR GEARBOX CONFIG. "B, C, E"

FIG & ITEM NO.	STATUS	PART NO.	INDENT	Description	Parts per Engine	
					582 UL mod. 99	582 UL mod. 17
1 1		277817	.1	ALLEN KEY WITH PILOT, 8 MM (0.315 IN.)	1a	1a
2		241875	.1	ALLEN SCREW M6x70/45	1b	1b
3		876880	.1	MOUNTING YOKE	1c	1c
4		276808	.1	PULLER ASSY. M28x1	1d	1d
5		876668	.1	INSERTION JIG ASSY.	1e	1e
6		995781	.1	GASKET SET	1f	1f
7		877430	.1	INSERTION JIG ASSY.	1g	1g
8		877432	.1	INSERTION JIG ASSY.	1h	1h
9		277982	.1	INSERTION JIG ASSY.	1i	1i
10		877445	.1	SOCKET WRENCH ASSY. 41x12.5	1	1
11-12		877379	.1	PULLER ASSY.	1j	1j
11		940755	..2	HEX. SCREW M16x1.5x150	1	1
13		877415	.1	PROTECTION MUSHROOM	1	1
14-15		877425	.1	FLYWHEEL PULLER ASSY.	1k	1k
14		941680	..2	HEX. SCREW M16x1.5x56	1	1
16		876552	.1	PROTECTION MUSHROOM	1	1
17		851160	.1	CLAMP 90-110	1l	1l
18		995775	.1	GASKET SET	1m	1m
19		995776	.1	GASKET SET	1n	1n
20		877810	.1	INSTALLATION SLEEVE ASSY.	1o	1o

- Items not illustrated

- a For internal hex. screw.
- b To remove the gear cover.
- c To compress the dog gear.
- d For drive gear, l= 2.00; l= 2.24; l= 2.58.
- e For oil seal part no. 850055.
- f For gearbox configuration "B".

d06623.fm

BRP-Rotax

ILLUSTRATED PARTS CATALOG

- g For oil seal part no. 930715.
- h For oil seal part no. 950084 and part no. 950085.
- i For oil seal part no. 933675.
- j To remove the layshaft gear.
- k To remove the flywheel.
- l For mounting the hardy disk.
- m For gearbox configuration "C".
- n For gearbox configuration "E".
- o For gearbox configuration "C" splitted cone.

d06623.fm

BRP-Rotax
ILLUSTRATED PARTS CATALOG

INTENTIONALLY LEFT BLANK

d06624.fm

BRP-Rotax
ILLUSTRATED PARTS CATALOG

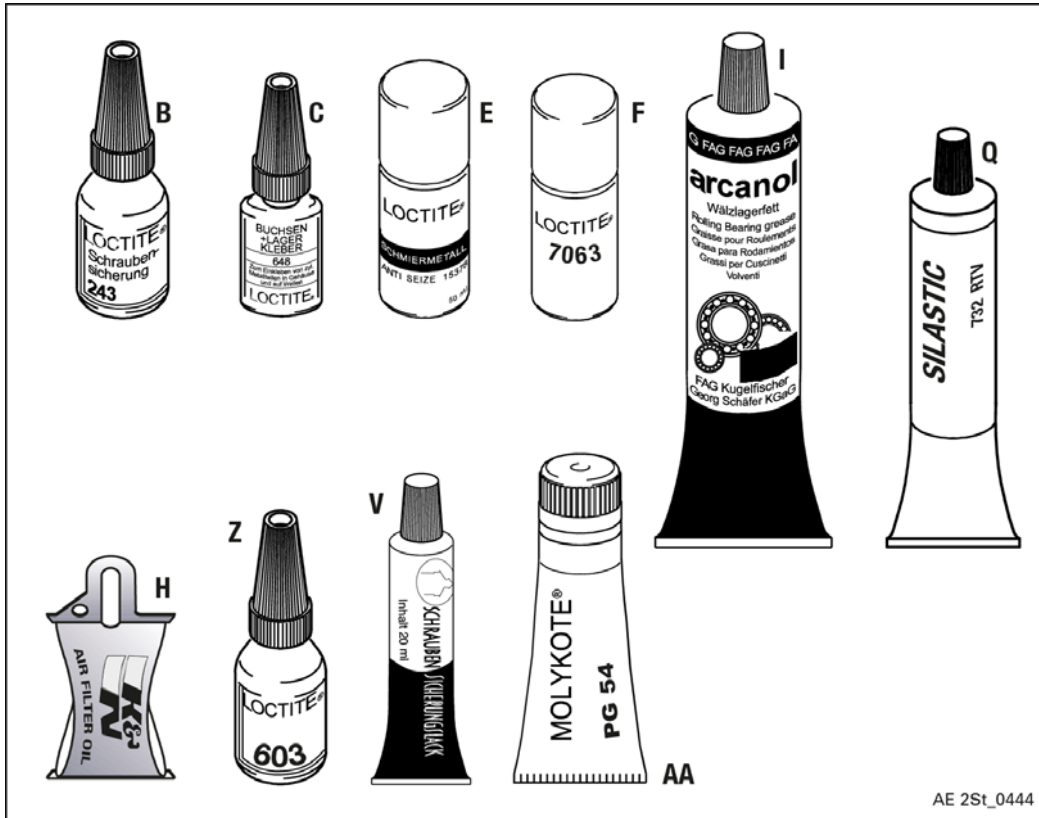


Fig. 00-00-00-4

08624

d06624.fm

BRP-Rotax

ILLUSTRATED PARTS CATALOG

Chapter) 00-00-00

LUBRICANT ADHESIVES AND SEALING COMPOUND

FIG & ITEM NO.	STATUS	PART NO.	INDENT	Description	Parts per Engine	
					582 UL mod. 99	582 UL mod. 17
1 AA		899763	.1	MOLYKOTE PG 54	AR	AR
B		897651	.1	LOCTITE 243 BLUE, 10 CC.	ARa	ARa
C		899788	.1	LOCTITE 648 GREEN, 5 ML. (CC)	ARb	ARb
E		297434	.1	LOCTITE ANTI SEIZE 50 ML.	ARc	ARc
F		xxx	.1	LOCTITE 7063	AR	AR
H		897870	.1	K&N FILTER OIL 99-11312	AR	AR
I		897330	.1	LITHIUM-BASED GREASE, 250 GR.	ARd	ARd
Q		297386	.1	SILASTIC 732 RTV, 100 GR.	AR	AR
V		898570	.1	LOCKING PAINT	AR	AR
Z		899789	.1	LOCTITE 603 GREEN, 10 CC.	AR	AR

- Items not illustrated

- a Medium strength bond, 10 cc.
- b High strength bond, 5 gr.
- c To prevent metal galling, 50 cc.
- d To prevent leakage current, 250 gr.

d06624.fm

BRP-Rotax
ILLUSTRATED PARTS CATALOG

INTENTIONALLY LEFT BLANK

d06624.fm

BRP-Rotax
ILLUSTRATED PARTS CATALOG

INTENTIONALLY LEFT BLANK

d06491.fm

BRP-Rotax
ILLUSTRATED PARTS CATALOG



1



2



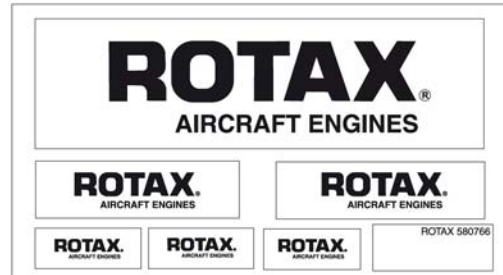
3



4



5



6

AT 2St_0460

Fig. 00-00-00-5

d06491.fm

BRP-Rotax
ILLUSTRATED PARTS CATALOG

Chapter) 00-00-00
DOCUMENTATION

FIG & ITEM NO.	STATUS	PART NO.	INDENT	Description	Parts per Engine	
					582 UL mod. 99	582 UL mod. 17
1 1		899122	.1	OPERATORS MANUAL	1	1
2		899482	.1	INSTALLATION MANUAL	1	1
3		899484	.1	MAINTENANCE MANUAL LINE	1	1
4		899059	.1	MAINTENANCE MANUAL HEAVY	1	1
5		899148	.1	ILLUSTRATED PARTS CATALOG	1	1
6		580766	.1	ROTAX STICKER KIT AIRCRAFT	1	1

- Items not illustrated

d06491.fm

BRP-Rotax
ILLUSTRATED PARTS CATALOG

INTENTIONALLY LEFT BLANK

d06491.fm

BRP-Rotax
ILLUSTRATED PARTS CATALOG

INTENTIONALLY LEFT BLANK

d06460.fm

BRP-Rotax
ILLUSTRATED PARTS CATALOG

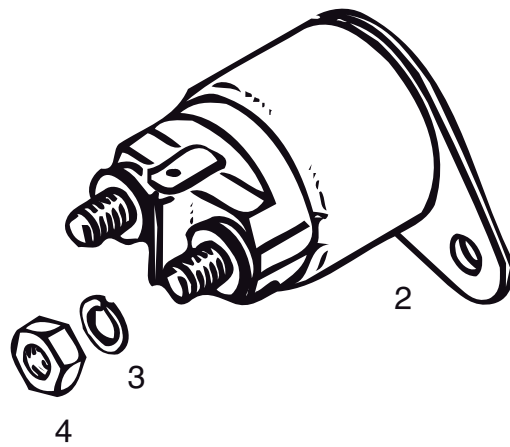
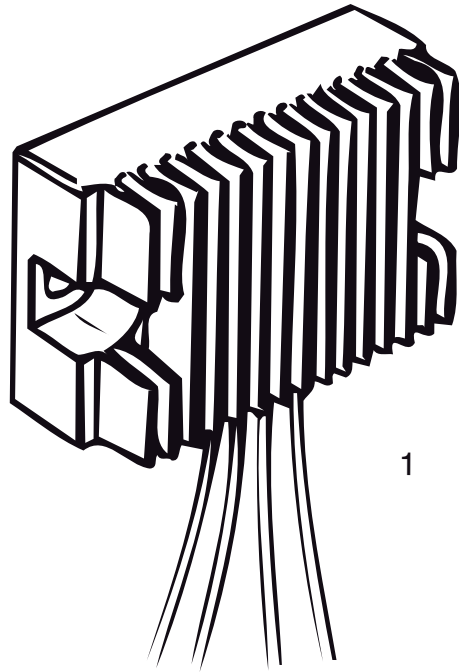


Fig. 24-00-00-1

04679

d06460.fm

BRP-Rotax

ILLUSTRATED PARTS CATALOG

Chapter) 24-00-00 ELECTRICAL POWER

RECTIFIER-REGULATOR, STARTER-RELAY

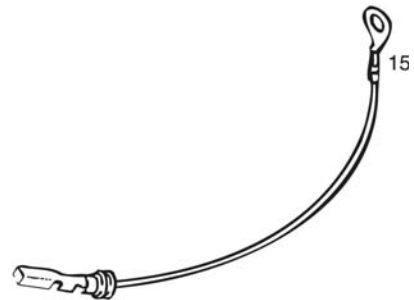
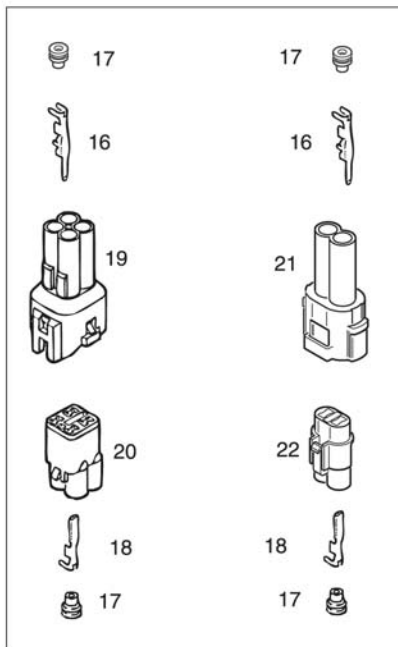
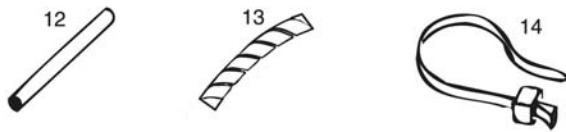
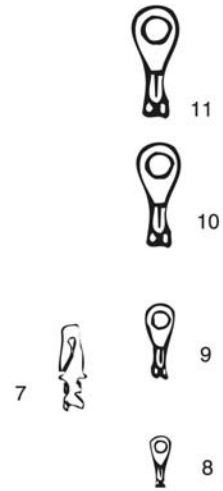
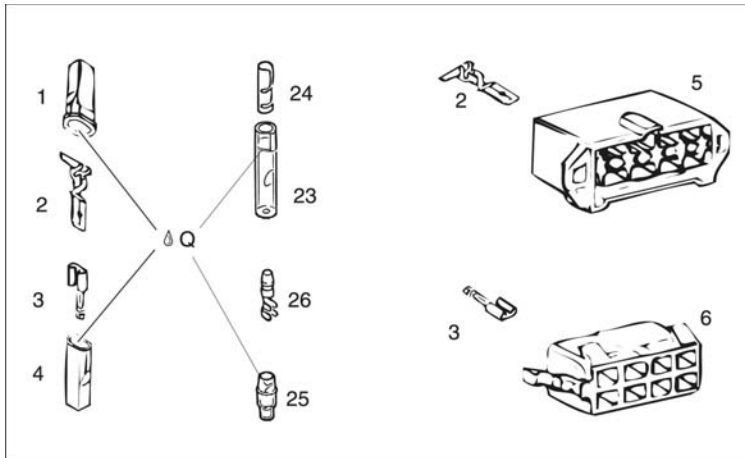
FIG & ITEM NO.	STATUS	PART NO.	INDENT	Description	Parts per Engine	
					582 UL mod. 99	582 UL mod. 17
1	1	264870	.1	RECTIFIER-REGULATOR	1a	1a
	2-4	992818	.1	STARTER RELAY ASSY.	1b	1b
	3	945751	..2	LOCK WASHER A6	2	2
	4	242211	..2	HEX. NUT M6	2	2

- Items not illustrated

- a No minimum load required
- b For use at magneto side starter and E-type gearbox stater.

d06460.fm

BRP-Rotax
ILLUSTRATED PARTS CATALOG



10294

Fig. 24-00-00-2

d06460.fm

BRP-Rotax

ILLUSTRATED PARTS CATALOG

**Chapter) 24-00-00
ELECTRICAL POWER
WIRING ACCESSORIES**

					Parts per Engine	
FIG & ITEM NO.	STATUS	PART NO.	INDENT	Description	582 UL mod. 99	582 UL mod. 2017
2 1		960970	.1	CONNECTOR SHEATH, YELLOW	AR	AR
2		866300	.1	FASTON CONNECTOR 6.3x0.8	AR	AR
3		864010	.1	FASTON CONNECTOR 6.3x0.8	AR	AR
4		960719	.1	CONNECTOR SHEATH	AR	AR
5		866025	.1	CONNECTOR HOUSING	AR	AR
6		866010	.1	CONNECTOR HOUSING	AR	AR
7		866305	.1	FASTON CONNECTOR 6.3x0.8	AR	AR
8		965706	.1	CABLE SHOE M3	AR	AR
9		965700	.1	CABLE SHOE M4	AR	AR
10		964055	.1	CABLE TERMINAL M5	AR	AR
11		964052	.1	CABLE TERMINAL M6	AR	AR
12		860621	.1	SHRINK HOSE 40 MM	AR	AR
13		966060	.1	SPIRAL HOSE 6.5x8.5x0.6	AR	AR
14		866710	.1	CLAMP 142x2.5 MM	AR	AR
15		n.a.	.1	MASS CABLE ASSY. 170 MM	1	1
16		265210	.1	FLAT PIN TERMINAL	AR	AR
17		260130	.1	CABLE GROMMET	AR	AR
18		265275	.1	FASTON CONNECTOR	AR	AR
19		265262	.1	CONNECTOR HOUSING 4-POLE	AR	AR
20		265260	.1	CONNECTOR HOUSING 4-POLE	AR	AR
21		265200	.1	CONNECTOR HOUSING 2-POLE	AR	AR
22		265205	.1	CONNECTOR HOUSING 2-POLE	AR	AR
23		964072	.1	INSULATION SHEATH	AR	AR

- Items not illustrated

d06460.fm

BRP-Rotax
ILLUSTRATED PARTS CATALOG

FIG & ITEM NO.	STATUS	PART NO.	INDENT	Description	Parts per Engine	
					582 UL mod. 99	582 UL mod. 2017
24		964067	.1	FASTON CONNECTOR 3.96	AR	AR
25		964077	.1	INSULATION SHEATH	AR	AR
26		964062	.1	FASTON CONNECTOR 3.96	AR	AR

- Items not illustrated

d06460.fm

BRP-Rotax
ILLUSTRATED PARTS CATALOG

INTENTIONALLY LEFT BLANK

d06832.fm

BRP-Rotax
ILLUSTRATED PARTS CATALOG

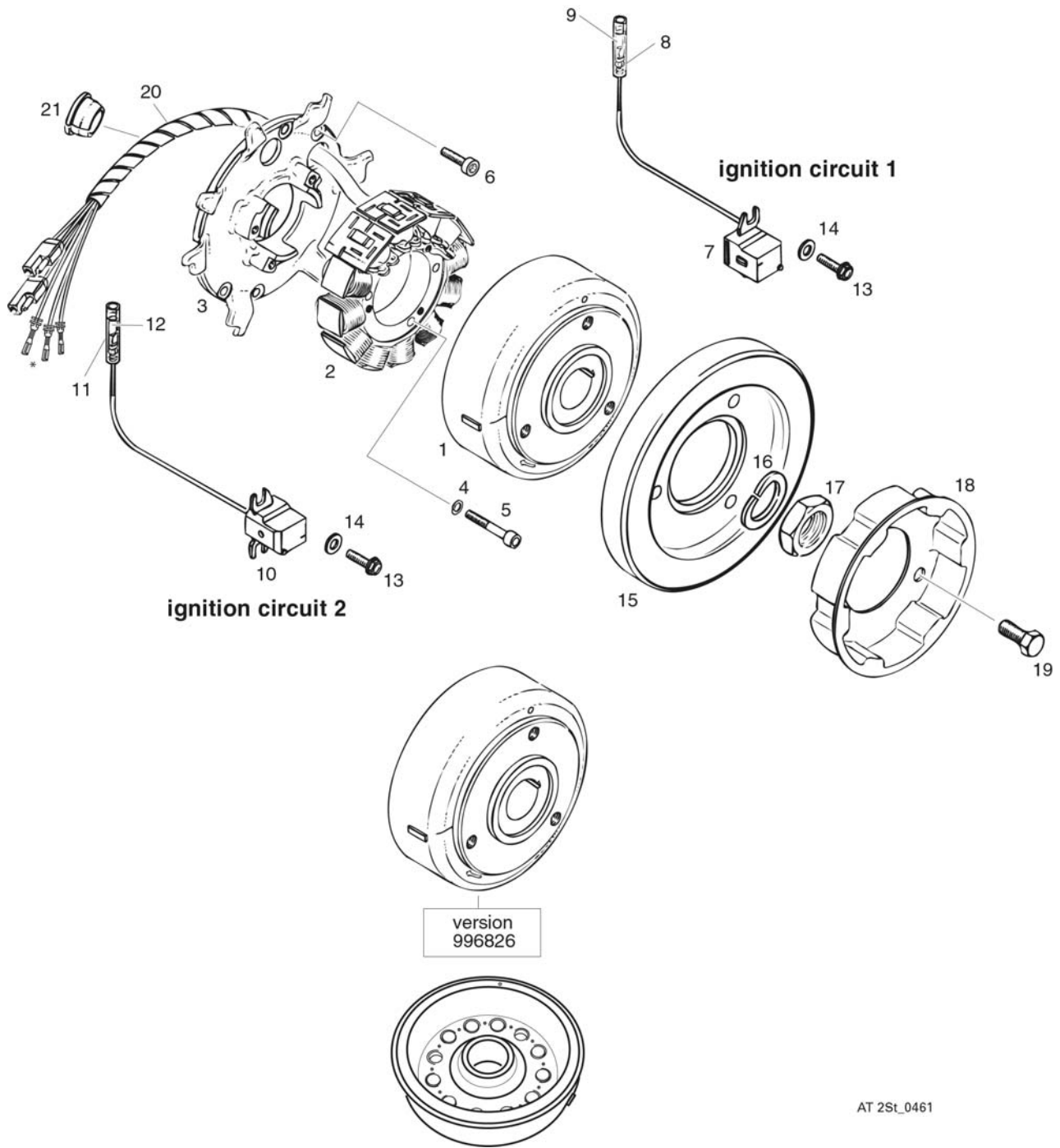


Fig. 24-00-00-3

d06832.fm

BRP-Rotax

ILLUSTRATED PARTS CATALOG

Chapter) 24-00-00

DUCATI MAGNETO-GENERATOR 12 V170W, STARTING PULLEY

FIG & ITEM NO.	STATUS	PART NO.	INDENT	Description	Parts per Engine	
					582 UL mod. 99	582 UL mod. 17
3 1		996826	.1	MAGNETO FLYWHEEL P12W170	1	1
2		996849	.1	COIL KIT	1	1
3		966207	.1	STATOR PLATE	1	1
4		945750	.1	LOCK WASHER A5	2	2
5		940880	.1	ALLEN SCREW M5x30	3	3
6		641521	.1	TORX SCREW M5x16-T25	2d	2d
7-9		965761	.1	PICKUP ASSY.	1a	1a
8		964072	..2	INSULATION SHEATH	1	1
9		964067	..2	FASTON CONNECTOR 3.96	1	1
10-12		965761	.1	PICKUP	1b	1b
11		964072	.1	INSULATION SHEATH	1	1
12		964067	.1	FASTON CONNECTOR 3.96	1	1
13	N s.v.	941926 941925	.1	TAPTITE SCREW M5x16	4	4
14		827801	.1	WASHER A5.5	4	4
15		965499	.1	HYDRO DAMPER ASSY.	1	1
16		945759	.1	LOCK WASHER 22	1	1
17	s.v.	842239	.1	HEX. NUT M22x1.5	1	1
18		852411	.1	STARTING PULLEY	1	1
19	N s.v.	940592 940591	.1	HEX. SCREW M8x20	3	3
20		966060	.1	SPIRAL HOSE 6.5x8.5x0.6	ARc	ARc
20		.	.1	SPIRAL HOSE 70 MM (2.76 IN)	1	1
21		960288	.1	CABLE GROMMET 20.5/11	1	1

- Items not illustrated

d06832.fm

BRP-Rotax

ILLUSTRATED PARTS CATALOG

- a For ignition circuit 1.
- b For ignition circuit 2.
- c In a roll.
- d Without rewind starter.

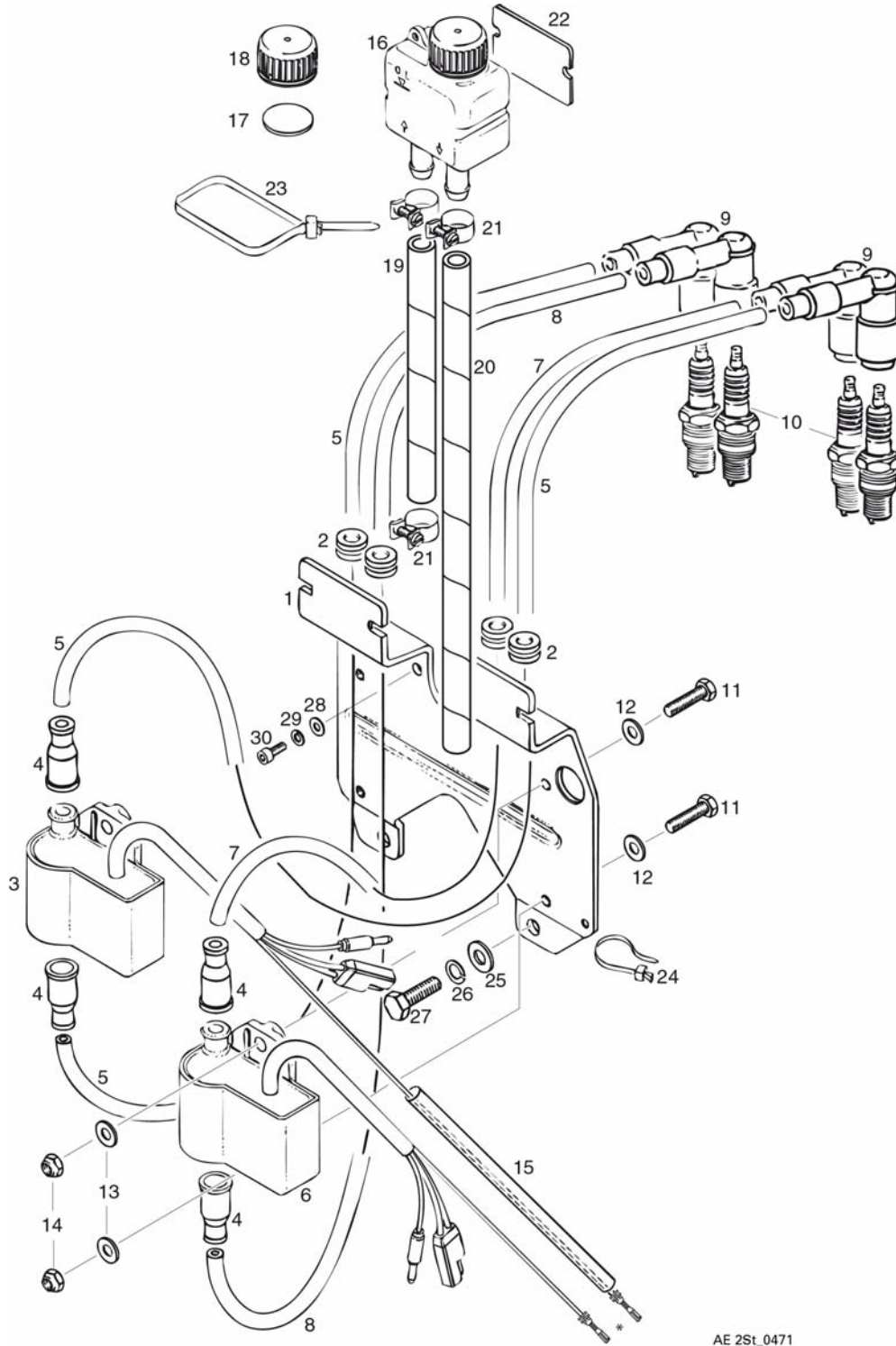
d06832.fm

BRP-Rotax
ILLUSTRATED PARTS CATALOG

INTENTIONALLY LEFT BLANK

d06459.fm

BRP-Rotax
ILLUSTRATED PARTS CATALOG



AE 2St_0471

Fig. 24-00-00-4

d06459.fm

BRP-Rotax

ILLUSTRATED PARTS CATALOG

Chapter) 24-00-00

OIL TANK, IGNITION COILS, SUPPORT PLATE

FIG & ITEM NO.	STATUS	PART NO.	INDENT	Description	Parts per Engine	
					582 UL mod. 99	582 UL mod. 17
4 1		951617	.1	SUPPORTING PLATE	1	
2		960445	.1	GROMMET	4	
3		966462	.1	ELECTRONIC BOX	1a	
4		960550	.1	PROTECTION CAP	4	
5,7,8		965153	.1	IGNITION CABLE 1.5/7 MM	AR	
5		.	.1	IGNITION CABLE 385 MM	2ad	
6		966467	.1	ELECTRONIC BOX	1b	
7		.	.1	IGNITION CABLE 250 MM	1bd	
8		.	.1	IGNITION CABLE 465 MM	1bd	
9		866705	.1	SUPPRESSED SPARK PLUG CONNECTOR	4e	
9		265249	.1	SPARK PLUG CONNECTOR		4e
10		897055	.1	SPARK PLUG 14 MM, NGK BR 8 ES	4e	
10		297656	.1	SPARK PLUG 12 MM		4e
11		240036	.1	HEX. SCREW M6x25	4	
11		240039	.1	HEX. SCREW M6x25		4
12,13		244211	.1	WASHER 6.4	8	8
14		842040	.1	LOCK NUT M6	4	4
15		960187	.1	PROTECTION HOSE 170 MM	1	1
16-18		956240	.1	OIL TANK ASSY.	1	1
17		850350	..2	RUBBER GASKET 26.5 MM	1	1
18		956250	..2	OIL TANK CAP S 103/2D	1	1
19-20		956140	.1	LOW PRESSURE HOSE OLN (E)	AR	AR
19		.	..2	HOSE 155 MM	1d	1d
20		.	..2	HOSE 360 MM	1d	1d

- Items not illustrated

d06459.fm

BRP-Rotax
ILLUSTRATED PARTS CATALOG

FIG & ITEM NO.	STATUS	PART NO.	INDENT	Description	Parts per Engine	
					582 UL mod. 99	582 UL mod. 17
21		853726	.1	CLAMP 16W1	4	
21		853515	.1	CLAMP 16/9	4	4
22		860425	.1	RUBBER SPACE	1	1
23		951500	.1	CLAMP 381x4.8 MM	1	1
24		866710	.1	CLAMP 142x2.5 MM	1c	1c
25		250315	.1	WASHER 8.4	2	2
26	s.v.	945752	.1	LOCK WASHER A8	2	2
26	N	945832	.1	LOCK WASHER A8	2	2
27		240276	.1	HEX.SCREW M8x25	2	2
28		244211	.1	WASHER 6.4	2	2
29		945751	.1	LOCK WASHER A6	2	2
30	s.v.	241236	.1	ALLEN SCREW M6x16	2	2
30	N	241237	.1	ALLEN SCREW M6x16	2	2

- Items not illustrated

- a For ignition circuit 1
- b For ignition circuit 2
- c To fix oil tube resp. cable harness
- d In a roll
- e See Service Instruction SI-2ST-010

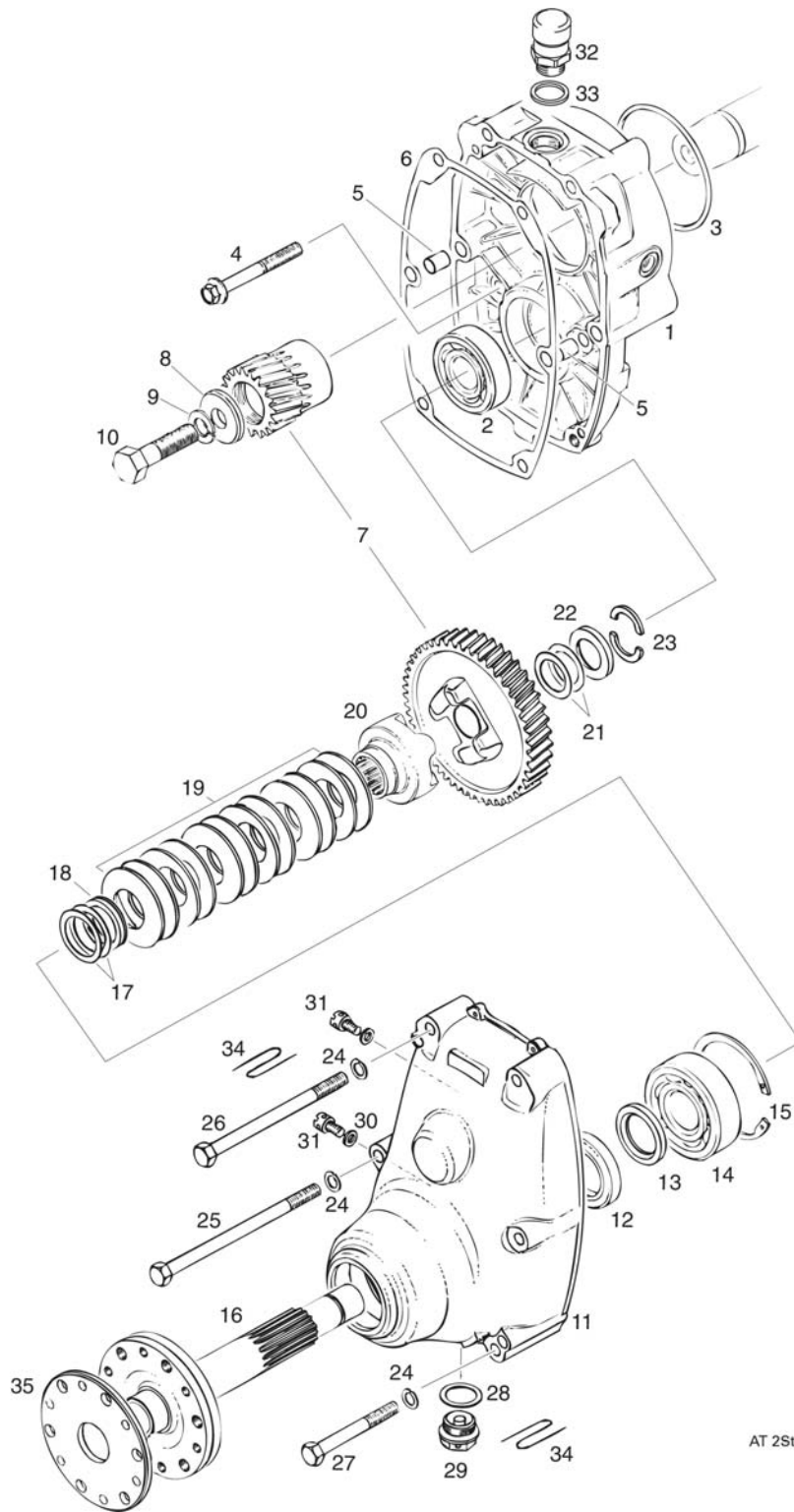
d06459.fm

BRP-Rotax
ILLUSTRATED PARTS CATALOG

INTENTIONALLY LEFT BLANK

d06834.fm

BRP-Rotax
ILLUSTRATED PARTS CATALOG



AT 2St_0462

Fig. 72-10-00-1

d06834.fm

BRP-Rotax

ILLUSTRATED PARTS CATALOG

Chapter) 72-10-00

REDUCTION GEARBOX "B": I=2.00, I=2.24 OR I=2.58

					Parts per Engine	
FIG & ITEM NO.	STATUS	PART NO.	INDENT	Description	582 UL mod. 99	582 UL mod.17
1 1		810109	.1	GEAR HOUSING	1	1
2		932091	.1	BALL BEARING 6304 C3, 20-52-15	1	1
3		850430	.1	O-RING 75-2.5	1	1
4	N s.v.	841304 841307	.1	COLLAR HEX.SCREW M8x65 A/F 11	2	2
5		929671	.1	DOWEL 10x13	2	2
6		930536	.1	GASKET	1	1
7		886200	.1	GEAR SET 2.58	1a	1a
7		886202	.1	GEAR SET 2.24	1b	1b
7		886204	.1	GEAR SET 2.00	1c	1c
8		827788	.1	WASHER 13/34/5	1	1
9		945765	.1	LOCK WASHER VHV 13	1	1
10		841656	.1	HEX. SCREW 1/2-20 UNFX2	1	1
11		910373	.1	GEAR COVER	1	1
12		850055	.1	OIL SEAL 30x47x7/7.5	1	1
13		827851	.1	DISTANCE RING 26/36/4.5	1	1
14		932820	.1	BALL BEARING 6305 C3 /25-62-17	1	1
15		445070	.1	RETAINING RING 62x2	1	1
16		837024	.1	PROPELLER SHAFT	1	1
17		944470	.1	SHIM 25.5/34/0.2	AR	AR
17		944471	.1	SHIM 25.5/34/0.3	AR	AR
17		944472	.1	SHIM 25.5/34/0.5	AR	AR
17		944473	.1	SHIM 25.5/34/1	AR	AR
17		944474	.1	SHIM 25.5/34/0.1	AR	AR
18		847621	.1	DISTANCE RING 25.2/33/4.5	1	1

- Items not illustrated

d06834.fm

BRP-Rotax
ILLUSTRATED PARTS CATALOG

FIG & ITEM NO.	STATUS	PART NO.	INDENT	Description	Parts per Engine	
					582 UL mod. 99	582 UL mod.17
19		939020	.1	DISK SPRING B50	12	12
20		958771	.1	DOG HUB	1	1
21		944469	.1	THRUST WASHER 20.5/30/0.8	2	2
22		827841	.1	ANGULAR RING	1	1
23		827862	.1	RING HALF	2	2
24		945752	.1	LOCK WASHER A8	6	6
25	N s.v.	941351 941350	.1	HEX. SCREW M8x125	2	2
26		941171	.1	HEX. SCREW M8x110	2	2
27		841302	.1	HEX. SCREW M8x65	2	2
28		552280	.1	GASKET RING 18.2/24/1	1	1
29		840270	.1	MAGNETIC PLUG M18x1.5	1	1
30		230415	.1	GASKETRING A6 x10	2	2
31		841781	.1	CAPSTAN SCREW M6x10	2	2
32		94115	.1	AIR VENT SCREW M18x1.5	1	1
33		931200	.1	GASKET RING 18.2/22/2	1	1
34		.	.1	WIRE LOCK	AR	AR
35		827830	.1	COVER WASHER	1	1

- Items not illustrated

- a Exchange drive gear 19 T and dog gear 49 T only together
- b Exchange drive gear 21 T and dog gear 47 T only together.
- c Exchange drive gear 20 T and dog gear 40 T only together.

d06834.fm

BRP-Rotax
ILLUSTRATED PARTS CATALOG

INTENTIONALLY LEFT BLANK

d06835.fm

BRP-Rotax
ILLUSTRATED PARTS CATALOG

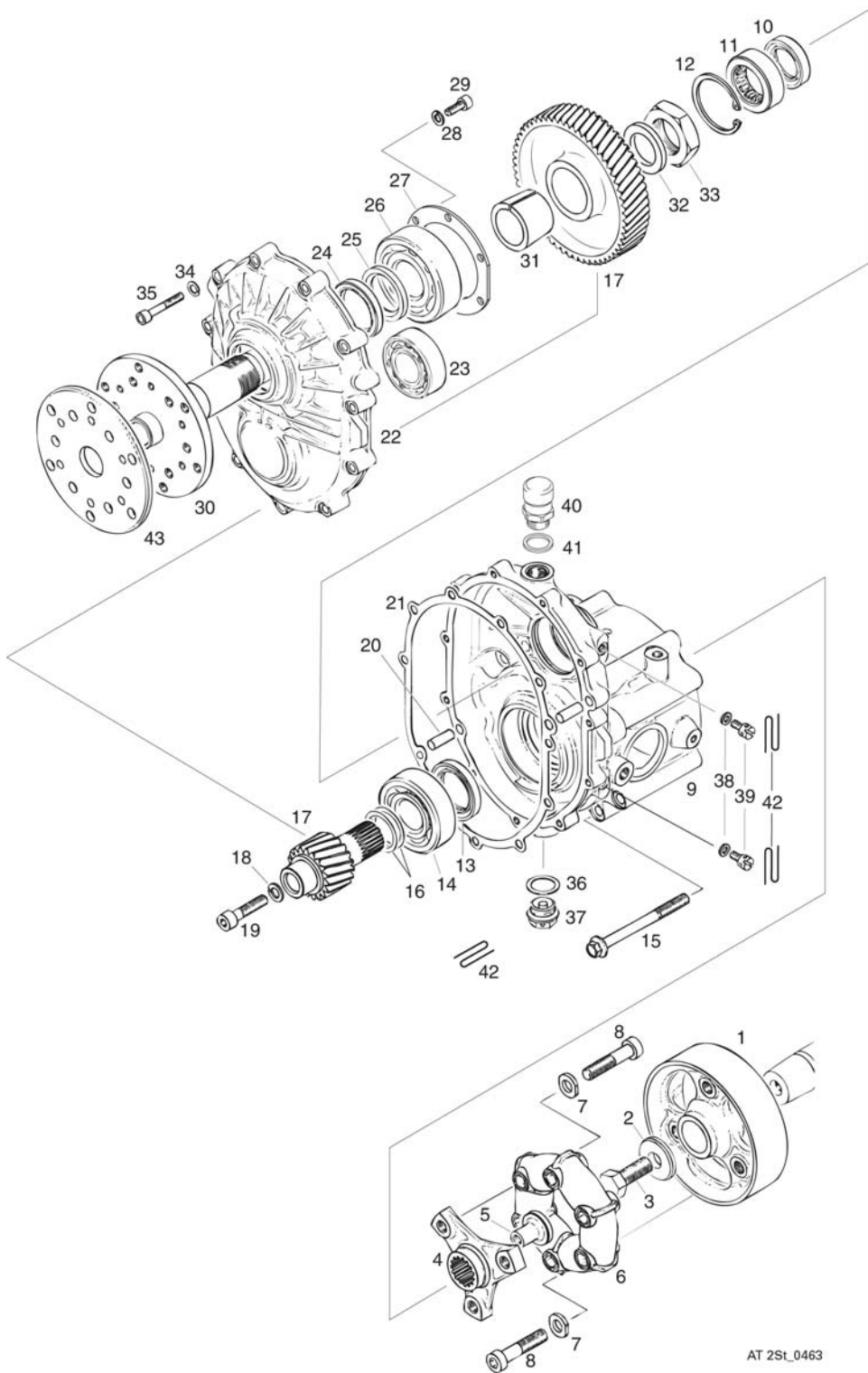


Fig. 72-10-00-2

AT 2St_0463

d06835.fm

BRP-Rotax

ILLUSTRATED PARTS CATALOG

Chapter) 72-10-00

REDUCTION GEARBOX "C": I= 2.62, I= 3.00, I= 3.47 OR I= 4.00

FIG & ITEM NO.	STATUS	PART NO.	INDENT	Description	Parts per Engine	
					582 UL mod. 99	582 UL mod. 17
2 1		958981	.1	FLY WHEEL	1	1
2		827788	.1	WASHER 13/34/5	1	1
3		841652	.1	HEX. SCREW 1/2-20UNFX1 3/16	1	1
4	N s.v.	958972 958971	.1	COUPLING FLANGE	1	1
5		842661	.1	NUT M8	1	1
6		958964	.1	RUBBER COUPLING	1	1
7		944120	.1	WASHER	6	6
8		841820	.1	ALLEN SCREW M10x45	6	6
9		810012	.1	GEAR BOX HOUSING	1	1
10		930675	.1	OIL SEAL 25x38x7	1	1
11		232286	.1	ROLLER BEARING 26.5-47-14	1	1
12		945690	.1	RETAINING RING 47x1.75	1	1
13		950084	.1	OIL SEAL A 32x47x7	1	1
14		932820	.1	BALL BEARING 6305 C3 /26-62-17	1	1
15	N s.v.	440367 440366	.1	COLLAR HEX. SCREW M8x90 A/F 11	8	8
16		427021	.1	SHIM 26.5/34/0.2	AR	AR
17		886280	.1	GEAR SET I 2.62	1af	1af
17		886282	.1	GEAR SET I 3.0	1bf	1bf
17		886284	.1	GEAR SET I 3.47	1cf	1cf
17		886217	.1	GEAR SET I 4.00	1df	1df
18		845310	.1	LOCK WASHER VHZ	1	1
19		841591	.1	ALLEN SCREW M8x35	1	1
20		929940	.1	PIN 8x20	2	2

- Items not illustrated

d06835.fm

BRP-Rotax
ILLUSTRATED PARTS CATALOG

FIG & ITEM NO.	STATUS	PART NO.	INDENT	Description	Parts per Engine	
					582 UL mod. 99	582 UL mod. 17
21		950211	.1	GASKET	1	1
22		810021	.1	GEAR COVER	1	1
23		932420	.1	BALL BEARING 6205 C3, 25-52-15	2	2
24		930715	.1	OIL SEAL 35x47x7	1	1
25		944111	.1	DISTANCE RING 31/44/4.5	1	1
26		932570	.1	BALL BEARING 6306 C3, 30-72-19	1	1
27		944106	.1	SHIM	1	1
28		445330	.1	LOCK WASHER VHZ 6	4	4
29		241237	.1	ALLEN SCREW M6x16	6	6
30		837185	.1	PROPELLER SHAFT	1	1
31		847757	.1	SPLITTED CONE SLEEVE 10	1	1
32		926201	.1	MASSIVE WASHER 30	1	1
33		842575	.1	HEX. NUT M30x1.5 12 MM, LH	1e	1e
34	N s.v.	945831 945751	.1	LOCK WASHER A6	11	11
35		840888	.1	ALLEN SCREW M6x30	11	11
36		552280	.1	GASKET RING 18.2/24/1	1	1
37		840270	.1	MAGNETIC PLUG M18x1.5	1	1
38		230415	.1	SEALING RING A 6x10	2	2
39		841781	.1	CAPSTAN SCREW M6x10	2	2
40		941115	.1	AIR VENT SCREW M18x1.5	1	1
41		931200	.1	GASKET RING 18.2/22/2	1	1
42		.	.1	WIRE LOCK	AR	AR
43		944140	.1	COVERWASHER	1	1

- Items not illustrated

- a Replace layshaft gear 55 T and pinion shaft 21 T only together.
- b Replace layshaft gear 57 T and pinion shaft 19 T only together.
- c Replace layshaft gear 59 T and pinion shaft 17 T only together.
- d Replace layshaft gear 60 T and pinion shaft 15 T only together.

d06835.fm

BRP-Rotax

ILLUSTRATED PARTS CATALOG

e

NOTICE

Left-hand thread

- f Gear set and splitted cone sleeve part no. 847757 has to be used together!
See also SI-2ST-007

d06835.fm

BRP-Rotax
ILLUSTRATED PARTS CATALOG

INTENTIONALLY LEFT BLANK

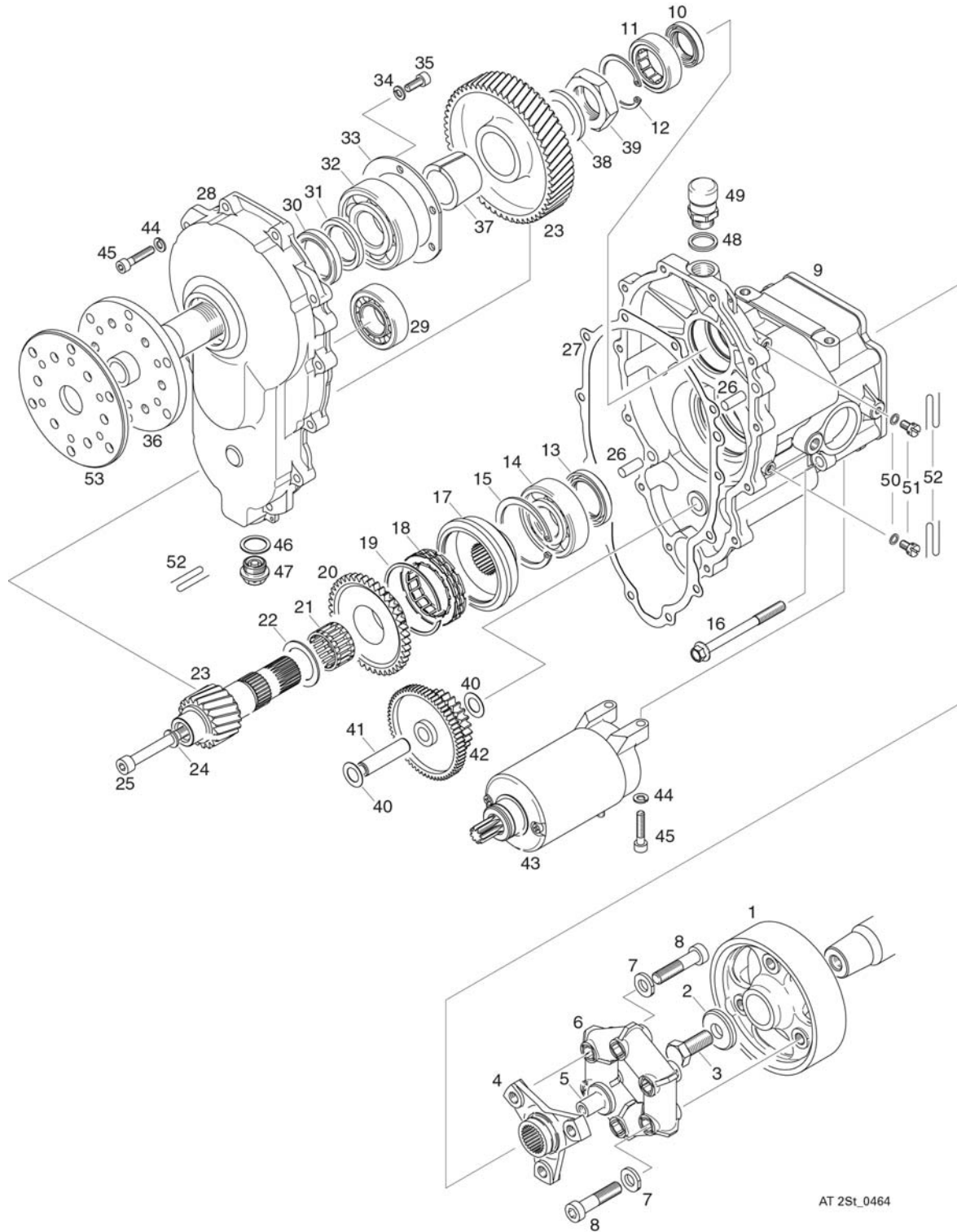
d06835.fm

BRP-Rotax
ILLUSTRATED PARTS CATALOG

INTENTIONALLY LEFT BLANK

d06836.fm

BRP-Rotax
ILLUSTRATED PARTS CATALOG



AT 2St_0464

Fig. 72-10-00-3

d06836.fm

BRP-Rotax

ILLUSTRATED PARTS CATALOG

Chapter) 72-10-00

REDUCTION GEARBOX "E": I=2.62, I=3.00, I=3.47 OR I=4.00

FIG & ITEM NO.	STATUS	PART NO.	INDENT	Description	Parts per Engine	
					582 UL mod. 99	582 UL mod. 17
3 1		958981	.1	FLY WHEEL	1	1
2		827788	.1	WASHER 13/34/5	1	1
3		841652	.1	HEX. SCREW 1/2-20UNFX1 3/16	1	1
4		958971	.1	COUPLING FLANGE	1f	1f
5		842661	.1	NUT M8	1	1
6		958964	.1	RUBBER COUPLING	1	1
7		944120	.1	WASHER	6	6
8		841820	.1	ALLEN SCREW M10x45	6	6
9		810351	.1	GEARBOX HOUSING	1	1
10		930675	.1	OIL SEAL 25x38x7	1	1
11		232286	.1	ROLLER BEARING 26.5-47-14	1	1
12		945690	.1	RETAINING RING 47x1.75	1	1
13		950085	.1	OIL SEAL 32x47x7	1g	1g
13		950084	.1	OIL SEAL 32x47x7	1f	1f
14		932820	.1	BALL BEARING 6305 C3 /25-62-17	1	1
15		445070	.1	RETAINING RING 62x2	1	1
16	N s.v.	440367 440366	.1	COLLAR HEX. SCREW M8x90 A/F 11	8	8
17		852430	.1	SPRAG CLUTCH HOUSING	1	1
18		259077	.1	SPRAG CLUTCH 45,665x62,332x13	1	1
19		245620	.1	SNAPRING 62	1	1
20		834280	.1	FREE WHEEL GEAR 42 T	1	1
21		832410	.1	NEEDL CAGE K28x34x20H	1	1
22		427236	.1	THRUST WASHER 28,25/39.8/1.5	1	1
23		886751	.1	GEAR SET I 2.62	1ah	1ah

- Items not illustrated

d06836.fm

BRP-Rotax
ILLUSTRATED PARTS CATALOG

FIG & ITEM NO.	STATUS	PART NO.	INDENT	Description	Parts per Engine	
					582 UL mod. 99	582 UL mod. 17
23		886753	.1	GEAR SET I 3.0	1bh	1bh
23		886755	.1	GEAR SET I 3.47	1ch	1ch
23		886757	.1	GEAR SET I 4.0	1dh	1dh
24		845310	.1	LOCK WASHER VHZ 8	1	1
25		440217	.1	ALLEN SCREW M8x80	1	1
26		929940	.1	PIN 8x20	2	2
27		950215	.1	GASKET	1	1
28		810361	.1	GEAR COVER	1	1
29		232243	.1	ZR-BEARING NJ 205 E JP1	1	1
30		930715	.1	OIL SEAL 35x47x7	1	1
31		944111	.1	DISTANCE RING 31/44/4.5	1	1
32		932570	.1	BALL BEARING 6306 C3,30-72-19	1	1
33		944106	.1	SHIM	1	1
34		445330	.1	LOCK WASHER VHZ 6	6	6
35		241237	.1	ALLEN SCREW M6x16	6	6
36	N s.v.	837186 837185	.1	PROPELLER SHAFT	1	1
37		847757	.1	SPLITTED CONE SLEEVE 10	1h	1h
38		926201	.1	MASSIVE WASHER 30	1	1
39		842575	.1	HEX. NUT M30x1.5 12 MM, LH	1e	1e
40		227450	.1	THRUST WASHER 12.5/21.5/0.5	2	2
41		837302	.1	IDLE GEAR SHAFT	1	1
42		834290	.1	IDLE GEAR 62/25 Z	1	1
43		685975	.1	ELECTRIC STARTER ASSY.	1	1
44	N s.v.	945831 945751	.1	LOCK WASHER A6	14	14
45	N s.v.	840888 840880	.1	ALLEN SCREW M6x30	14	14

- Items not illustrated

d06836.fm

BRP-Rotax
ILLUSTRATED PARTS CATALOG

FIG & ITEM NO.	STATUS	PART NO.	INDENT	Description	Parts per Engine	
					582 UL mod. 99	582 UL mod. 17
46		552280	.1	GASKET RING 18.2/24/1	1	1
47		840270	.1	MAGNETIC PLUG M18x1.5	1	1
48		931200	.1	GASKET RING 18.2/22/2	1	1
49		941115	.1	AIR VENT SCREW M18x1.5	1	1
50		230415	.1	SEALING RING A 6x10	2	2
51		841781	.1	CAPSTAN SCREW M6x10	2	2
52		.	.1	WIRE LOCK	AR	AR
53		944140	.1	COVER WASHER	1	1

- Items not illustrated

- a Replace layshaft gear 55 T and pinion shaft 21 T only together.
- b Replace layshaft gear 57 T and pinion shaft 19 T only together.
- c Replace layshaft gear 59 T and pinion shaft 17 T only together.
- d Replace layshaft gear 60 T and pinion shaft 15 T only together.
- e

NOTICE

Left hand thread.

- f Coupling flange part no. 958971 and sealing ring part no. 950084 has to be used as a set.
- g Coupling flange part no. 958970 and sealing ring part no. 950085 has to be used as a set
- h Gear set and splitted cone sleeve part no. 847757 has to be used together!

See also SI-2ST-007

NOTE: Included starter relay

d06836.fm

BRP-Rotax
ILLUSTRATED PARTS CATALOG

INTENTIONALLY LEFT BLANK

d06836.fm

BRP-Rotax
ILLUSTRATED PARTS CATALOG

INTENTIONALLY LEFT BLANK

d06837.fm

BRP-Rotax
ILLUSTRATED PARTS CATALOG

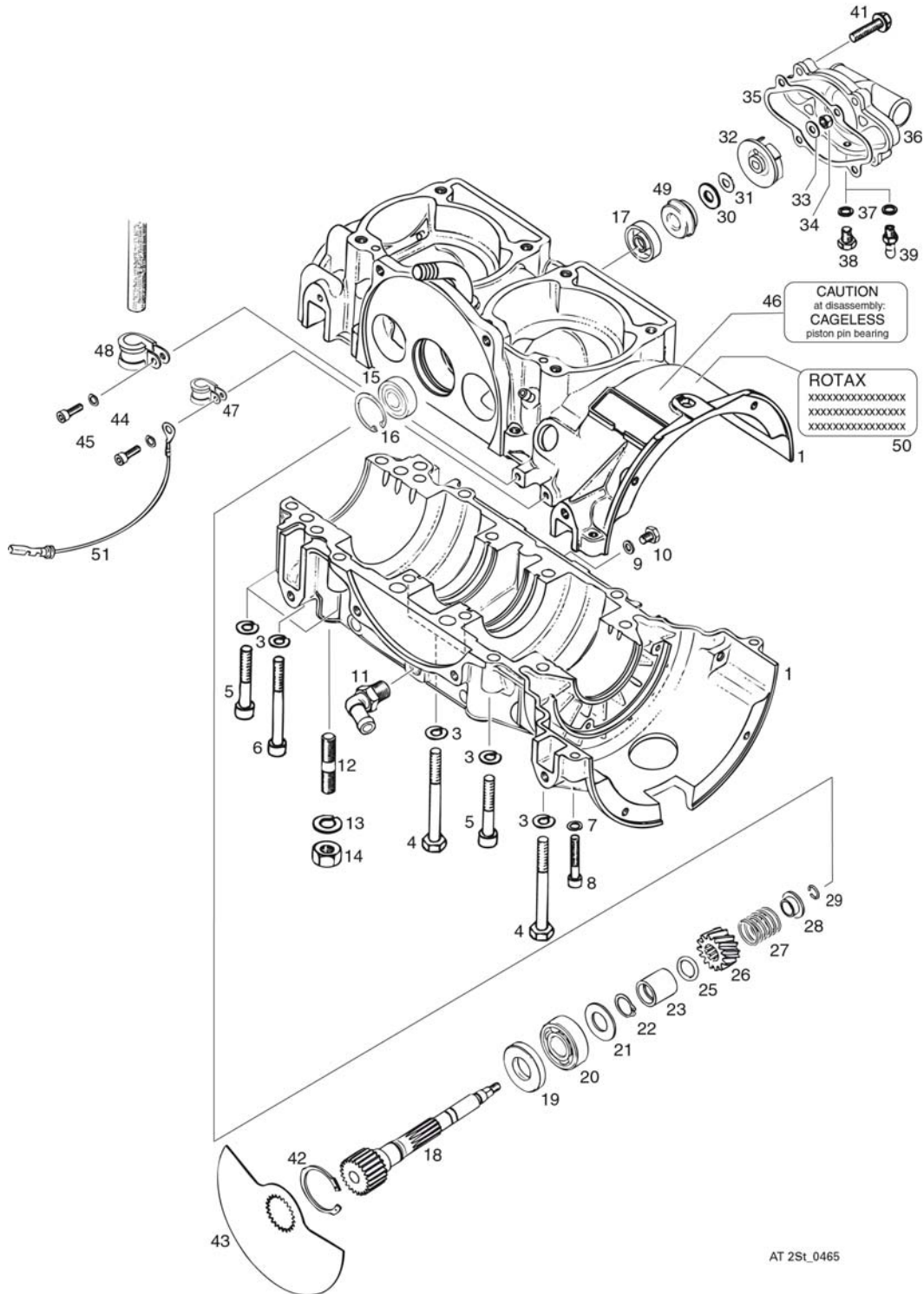


Fig. 72-20-00-1

d06837.fm

BRP-Rotax

ILLUSTRATED PARTS CATALOG

Chapter) 72-20-00

CRANKCASE, ROTARY VALVE DRIVE, WATER PUMP

					Parts per Engine	
FIG & ITEM NO.	STATUS	PART NO.	INDENT	Description	582 UL mod. 99	582 UL mod. 17
1 1-12		888471	.1	CRANKCASE-ASSY.	1	1
1-29,42		888476	.1	CRANKCASE-ASSY. WITH ROTARY VALVE DRIVE	1c	1c
3	N s.v.	945832 945752	..2	LOCK WASHER A8	14	14
4		841302	..2	HEX. SCREW M8x65	6	6
5		841562	..2	ALLEN SCREW M8x45	6	6
6		841832	..2	ALLEN SCREW M8x75	2	2
7	N s.v.	945831 945751	..2	LOCK WASHER A6	2	2
8		241811	..2	ALLEN SCREW M6x35	2	2
9		230415	..2	GASKET RING A6x10	1	1
10	N s.v.	240772 240771	..2	HEX. SCREW M6x10	1	1
11		922242	..2	ANGULAR TUBE 1/4-18NPT	1	1
12		940190	..2	STUD M10x29/20	4	4
13	N s.v.	945833 945753	..2	LOCK WASHER A10	4	4
14		242092	..2	HEX. NUT M10	4	4
15		932797	..2	BALL BEARING 6201-Z, 12-32-10	1	1
16		245420	..2	RETAINING RING	1	1
17		850711	..2	OIL SEAL 10x30x8	1	1
18		837250	..2	ROTARY VALVE SHAFT	1a	1a
19		930580	..2	OIL SEAL 20x40x7	1	1
20		932032	..2	BALL BEARING 6203 TVH C3, 17-40-12	1	1
21		227439	..2	SHIM 17.2/32.5/1.5	1	1

- Items not illustrated

d06837.fm

BRP-Rotax
ILLUSTRATED PARTS CATALOG

FIG & ITEM NO.	STATUS	PART NO.	INDENT	Description	Parts per Engine	
					582 UL mod. 99	582 UL mod. 17
22		845450	..2	RETAINING RING 17x1	1	1
23		847282	..2	SPACER	1	1
24		927440	..2	SHIM 15.1/22.5/0.5	x	x
25		831500	..2	O-RING 14-3	1	1
26		935736	..2	ROTARY VALVE GEAR 14 T.	1	1
27		938810	..2	COMPRESSION SPRING 25.1 MM (0.99 IN)	1	1
28		827430	..2	SPRING HOLDING CUP	1	1
29		845160	..2	CIRCLIP 12	1b	1b
30		227945	.1	THRUST WASHER 8.1/15/0.5	1	1
31		227155	.1	FRICITION WASHER	1	1
32		922036	.1	IMPELLER	1	1
33		244211	.1	WASHER 6.4	1	1
34		842042	.1	LOCK NUT M6	1	1
35		831616	.1	GASKET	1	1
36		922503	.1	WATER PUMP HOUSING	1	1
37		230415	.1	GASKET RING 6.2/8.9/1	1	1
38		841580	.1	HEX. SCREW M6x8	1	1
39		940551	.1	HOSE NIPPLE M6	1	1
40		244211	.1	WASHER 6.4	x	x
41		240039	.1	HEX. SCREW M6x25	4	4
42	s.v.	945880	..2	RETAINING RING 40x1.75	1	
42	N	945881	..2	RETAINING RING 40x1.75	1	1
43		924504	.1	ROTARY VALVE 132 DEGR.	1	1
44		945750	.1	LOCK WASHER A5	2	2
45	s.v. N	840511 840514	.1	ALLEN SCREW M5x16	2	2
46		897280	.1	CAGELESS-LABEL	1	1

- Items not illustrated

d06837.fm

BRP-Rotax
ILLUSTRATED PARTS CATALOG

FIG & ITEM NO.	STATUS	PART NO.	INDENT	Description	Parts per Engine	
					582 UL mod. 99	582 UL mod. 17
47		851111	.1	CABLE CLAMP 8/M5	1	1
48		851113	.1	CLAMP 18/M5	1	1
49		650370	.1	ROTARY SEAL	1	1
50		897501	.1	RED WARNING LABEL	1	1
51		xxx	.1	see Chapter 24-00-00	1	1

- Items not illustrated

- a Rotary valve for configuration with rotary seal
- b The circlip must be positioned at the inner groove only
- c Crankcase including rotary valve drive, configuration with rotary seal

d06837.fm

BRP-Rotax
ILLUSTRATED PARTS CATALOG

INTENTIONALLY LEFT BLANK

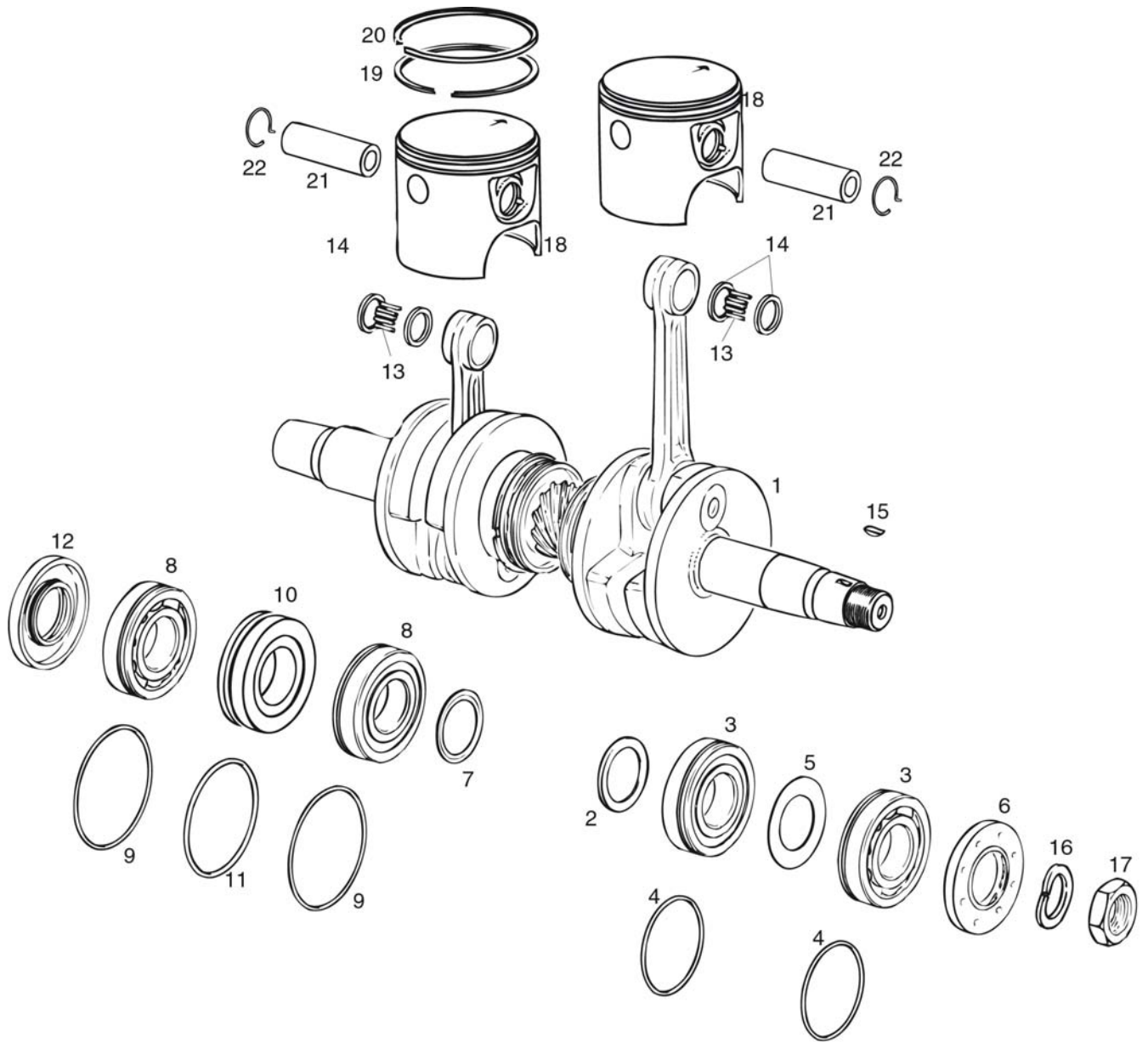
d06837.fm

BRP-Rotax
ILLUSTRATED PARTS CATALOG

INTENTIONALLY LEFT BLANK

d06838.fm

BRP-Rotax
ILLUSTRATED PARTS CATALOG



AT 2St_0466

Fig. 72-20-00-2

d06838.fm

BRP-Rotax
ILLUSTRATED PARTS CATALOG
Chapter) 72-20-00
CRANKSHAFT, BEARINGS, PISTON

FIG & ITEM NO.	STATUS	PART NO.	INDENT	Description	Parts per Engine	
					582 UL mod. 99	582 UL mod. 17
2	1-15	887052	.1	CRANKSHAFT ASSY.	1	1
	2	827441	..2	SPACER RING 30.5/42/2	1	1
	3	832208	..2	B.BEARING 6206 N TVH, 30-62-16	2	2
	4	830355	..2	O-RING 49.2-1.8	2	2
	5	827715	..2	STOP SHIM 30.4/51/1	1	1
	6	830748	..2	OIL SEAL 30x62x7/7.5	1	1
	7	827760	..2	DISTANCE RING 35.5/47/2	1	1
	8	631741	..2	B.BEARING 6207N TNH C3 35-72-17	2	2
	9	250165	..2	O-RING 64-2	2	2
	10	830293	..2	LABYRINTH SLEEVE	1	1
	11	830370	..2	O-RING 63-2.5	1	1
	12	831950	..2	OIL SEAL 35x72x7/8.5	1	1
	13-14	832320	..2	CAGEL. NEEDLE BEARING 18x22x23	2	2
	14	827465	..2	THRUST WASHER 18/21.7/2.5	4	4
	15	246055	..2	WOODRUFF KEY 3x3.7 DIN 6888	1	1
	16	945759	.1	LOCK WASHER 22	1	1
	17	842239	.1	HEX. NUT M22x1.5 A/F 30	1	1
	18-20	888590	.1	PISTON ASSY. 75.94/75.95 MM	2ab	2ab
	18-20	888591	.1	PISTON ASSY. 76.19/76.20 MM	2ac	2ac
	18-20	888592	.1	PISTON ASSY. 76.44/76.45 MM	2ad	2ad
	19	215200	..2	RECTANGULAR RING 76.00 MM	2e	2e
	19	215201	..2	RECTANGULAR RING 76.25 MM	2f	2f
	19	215202	..2	RECTANGULAR RING 76.5 MM	2g	2g
	20	915820	..2	SEMI-TRAPEZ RING 76.00 MM	2e	2e

- Items not illustrated

d06838.fm

BRP-Rotax
ILLUSTRATED PARTS CATALOG

FIG & ITEM NO.	STATUS	PART NO.	INDENT	Description	Parts per Engine	
					582 UL mod. 99	582 UL mod. 17
20		915821	..2	SEMI-TRAPEZ RING 76.25 MM	2f	2f
20		915822	..2	SEMI-TRAPEZ RING 76.5 MM	2g	2g
21		916136	.1	PISTON PIN 18x11x53.7	2	2
22		845540	.1	MONOHOOK CIRCLIP 18	4hi	4hi

- Items not illustrated

- a Piston for monohook circlip configuration, see also SI-2ST-001.
- b With 2 rings, standard: RED 75.94 mm (2.989 in.), GREEN 75.95 mm (2.990 in.).
- c With 2 rings, 1st oversize: RED 76.19 mm (2.999 in.), GREEN 76.20 mm (3.000 in.).
- d With 2 rings, 2nd oversize: RED 76.44 mm (3.0094 in.), GREEN 76.45 mm (3.0098 in.).
- e Standard size.
- f 1st oversize.
- g 2nd oversize.
- h In use with piston part no. 888590, see also SI-2ST-001.
- i

NOTICE

Use only once.

d06838.fm

BRP-Rotax
ILLUSTRATED PARTS CATALOG

INTENTIONALLY LEFT BLANK

d06839.fm

BRP-Rotax
ILLUSTRATED PARTS CATALOG

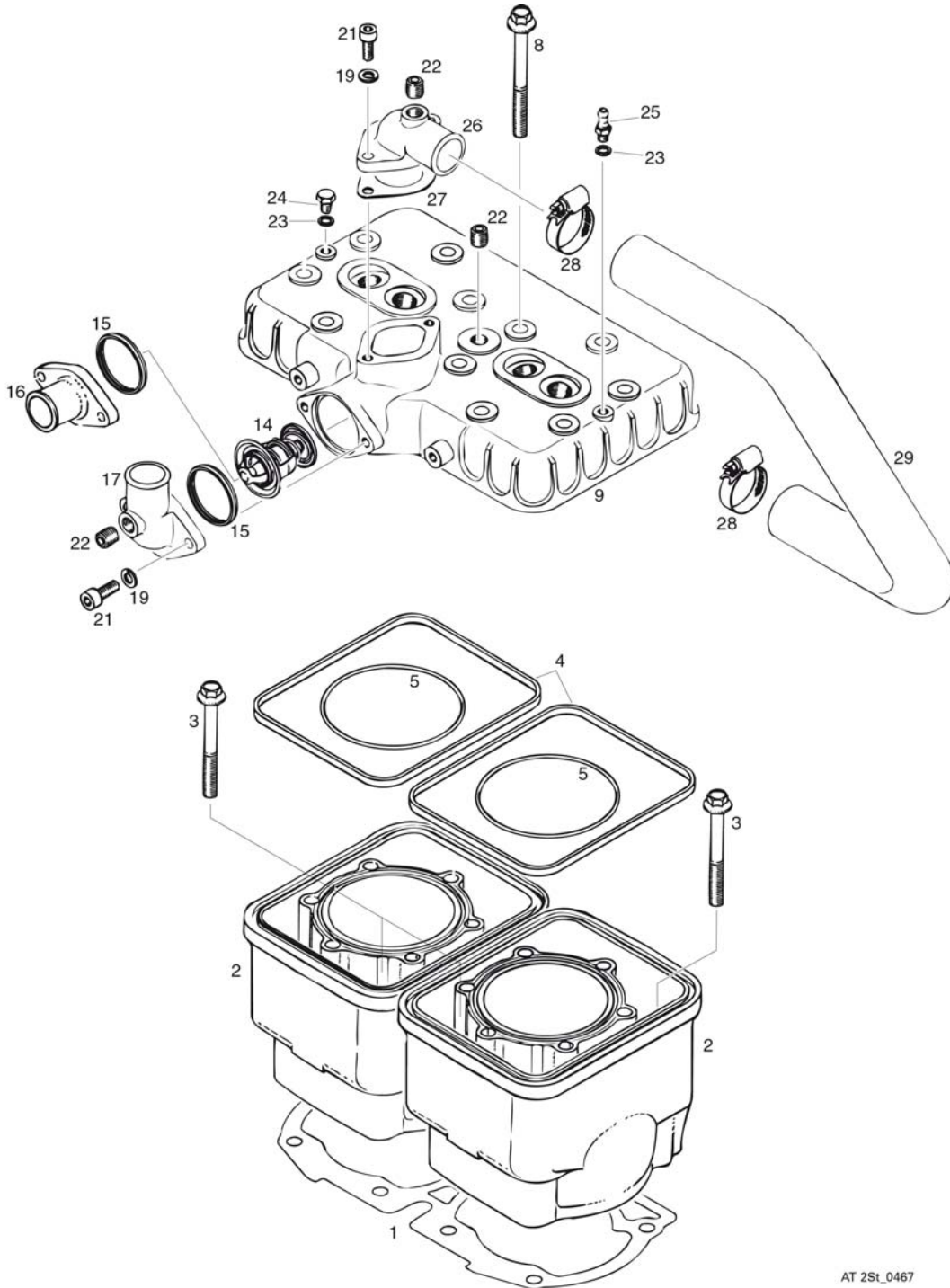


Fig. 72-20-00-3

AT 2St_0467

d06839.fm

BRP-Rotax
ILLUSTRATED PARTS CATALOG

Chapter) 72-20-00
CYLINDER, CYLINDER HEAD

FIG & ITEM NO.	STATUS	PART NO.	INDENT	Description	Parts per Engine	
					582 UL mod. 99	582 UL mod. 17
3 1		850775	.1	DOUBLE GASKET 0.5 MM	1	1
2		913448	.1	CYLINDER WITH SLEEVE	2a	2a
3		640952	.1	COLLAR HEX. SCREW M8x68.5 SW11	8	8
4		850040	.1	RUBBER RING 152.5/2.5/5	2	2
5		850540	.1	O-RING 83x2	2	2
8		841308	.1	COLLAR HEX. SCREW M8x65 SW11	12b	12b
9		913845	.1	CYLINDER HEAD	1c	
9		913848	.1	CYLINDER HEAD		1d
14-15		922511	.1	THERMOSTAT WITH GASKET	1	1
16		922025	.1	WATER OUTLET SOCKET	1	1
17		922061	.1	BENT OUTLET SOCKET	1	1
19	N s.v.	945831 945751	.1	LOCK WASHER A6	2	2
20		242211	.1	HEX. NUT M6	2	2
21		241939	.1	ALLEN SCREW M6x20	2	2
22		240483	.1	PLUG SCREW 1/8-27NPT	3	3
23		230415	.1	SEALING RING A6x10	2	2
24	N s.v.	841581 841580	.1	HEX. SCREW M6x8	1	1
25		940558	.1	HOSE NIPPLE M6	1	1
26		922063	.1	BENT OUTLET SOCKET	1	1
27		850338	.1	GASKET	1	1
28		951880	.1	CLAMP 20-32	2	2
29		922521	.1	MOLDED HOSE 25/180 DEGR.	1	1

- Items not illustrated

- a RED 76.00 mm - 76.01 mm (2.992 in) - 2.993 in).
b Usable for configuration with- and without 2-piece radiator.

d06839.fm

BRP-Rotax

ILLUSTRATED PARTS CATALOG

- c with spark plug thread M14x1.25
- d with spark plug thread M12x1.25

d06839.fm

BRP-Rotax
ILLUSTRATED PARTS CATALOG

INTENTIONALLY LEFT BLANK

d06840.fm

BRP-Rotax
ILLUSTRATED PARTS CATALOG

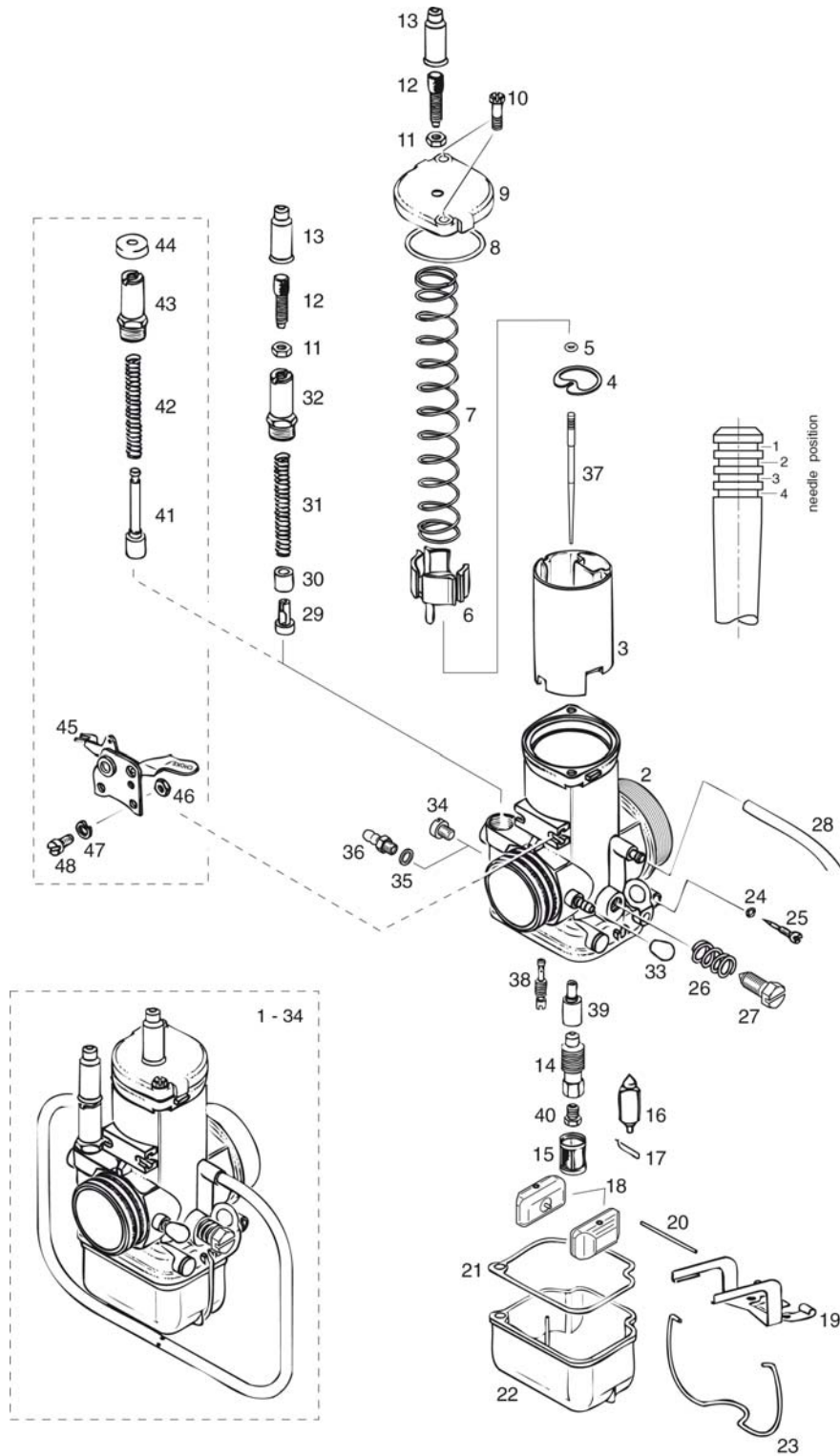


Fig. 73-00-00-1

10295

d06840.fm

BRP-Rotax

ILLUSTRATED PARTS CATALOG

Chapter) 73-00-00

BING DOUBLE-FLOAT CARBURETOR 36 MM, MODEL 96

					Parts per carb.	
FIG & ITEM NO.	STATUS	PART NO.	INDENT	Description	582 UL mod. 99	582 UL mod. 17
1	1-34+ 37-40	887838	.1	CARBURETOR 54/36/2101	1a	1a
		887834		CARBURETOR 54/36/2103	1b	1b
2		.	..2	CARBURETOR HOUSING	1b	1b
3		963679	..2	CARBURETOR PISTON	1	1
4		963500	..2	NEEDLE CLIP	1	1
5		950430	..2	O-RING 2.5x1.5	1	1
6		827347	..2	SPRING CUP	1	1
7		938655	..2	CARBURETOR PISTON SPRING 1.25/14	1	1
8	N s.v.	963723	..2	COVER PLATE WITH PIN	1	1
		963721				
9		831450	...3	RUBBER RING	1	1
10		241430	...3	HEX. SCREW M5x12	2	2
11		942541	...3	HEX. NUT M6x0.75 HIGHT 3 MM	1	1
12		241440	...3	ADJUSTMENT SCREW M6x0.75	1	1
13		260370	..2	RUBBER GROMMET	2	2
14		963700	..2	MIXING TUBE	1	1
15		261625	..2	SIEVE SLEEVE	1	1
16		261704	..2	FLOAT NEEDLE VALVE W. VITON TIP	1	1
17		261710	..2	FLOAT NEEDLE CLIP	1	1
18		861189	..2	FLOAT (PAIR)	1	1
19		861192	..2	FLOAT BRACKET	1	1
20		929702	..2	PIN	1	1
21		830722	..2	GASKET	1	1
22	N s.v.	261013	..2	FLOAT CHAMBER ASSY.	1	1
		261011				
23		963180	..2	SPRING CLIP	1	1

- Items not illustrated

d06840.fm

BRP-Rotax
ILLUSTRATED PARTS CATALOG

FIG & ITEM NO.	STATUS	PART NO.	INDENT	Description	Parts per carb.	
					582 UL mod 99	582 UL mod. 17
24		831713	..2	O-RING 3.2X1.8	1	1
25		963155	..2	AIR REGULATING SCREW	1	1
26		938641	..2	SPRING	1	1
27		963167	..2	ADJUSTMENT SCREW	1	1
28		861940	..2	AIR VENT LINE	1	1
29		963740	..2	CHOKE PISTON WITH GASKET	1	1
30		268850	..2	SLEEVE	1	1
31		661050	..2	COMPRESSION SPRING	1	1
32		963750	..2	CHOKE HOUSING	1	1
33		860610	..2	RUBBER CAP	1	1
34		640220	..2	SLOTTED HEAD SCREW M6x5	1	1
35		230415	.1	SEALING RING A 6x10	1	1
36		940551	.1	HOSE NIPPLE M6	1	1
37		961043	.1	JET NEEDLE 11G2	1b	1b
		963718		JET NEEDLE 15K2	1a	1a
38		963147	.1	IDLE JET	1	1
39		963697	.1	NEEDLE JET2.72	1b	1b
		963691		NEEDLE JET2.68	1a	1a
40		268986	.1	MAIN JET165	1b	1b
		268982		MAIN JET145	1a	1a
41-48		995667	.1	HAND LEVER CHOKE SET	1	1
41		268847	..2	CHOKE PISTON WITH GASKET	1	1
42		239730	..2	COMPRESSION SPRING	1	1
43		261770	..2	CHOKE HOUSING	1	1
44		260490	..2	RUBBER CAP	1	1
45		261755	..2	CHOKE LEVER ASSY.	1	1
46		261200	..2	HEX. NUT M5	2	2
47		945750	..2	LOCK WASHER A5	2	2

- Items not illustrated

d06840.fm

BRP-Rotax

ILLUSTRATED PARTS CATALOG

FIG & ITEM NO.	STATUS	PART NO.	INDENT	Description	Parts per carb.	
					582 UL mod 99	582 UL mod. 17
48		240791	..2	SLOTTED HEAD SCREW M5X10	2	2

- Items not illustrated

- a with intake silencer see carburetor calibration sheet
- b without intake silencer see carburetor calibration sheet

d06840.fm

BRP-Rotax
ILLUSTRATED PARTS CATALOG

Carburetor calibration sheet:

582 UL DCDI		
Version	mod. 99 / mod. 17	
Version	Standard	
with intake silencer	YES	NO
Part no. BING no.	887838	887834
BING no.	54/36/2101	54/36/2103
Location	—	—
Main jet	HD 145	HD 165
Idle jet	LD 55	LD 55
Needle jet	ND 2.68	ND 2.72
Jet needle	DN 15K2	DN 11G2
Needle position	NP 3	NP 3
Cold start jet	SD 150	SD 150
Idle air adjusting screw	LS 1	LS 1
Float needle valve	NS 1.5	NS 1.5
Starting bore	SB 2.0	

d06840.fm

BRP-Rotax

ILLUSTRATED PARTS CATALOG

Most frequent calibration jets:

Description	
Main jet	Part no.
HD 125	268978
HD 130	268979
HD 135	268980
HD 138	268998
HD 140	268981
HD 142	268994
HD 145	268982
HD 148	268995
HD 150	268983
HD 155	268984
HD 158	268996
HD 160	268985
HD 162	268990
HD 165	268986
HD 170	268987
HD 175	268988
HD 180	268989
HD 185	261080
HD 190	261084
HD 195	268992
HD 200	261082
HD 205	261087
HD 210	261083

Description	
Idle jet	Part no.
LD 45	963144
LD 50	963140
LD 55	963147

Description	
Needle jet	Part no.
ND 2.68	963691
ND 2.70	963698
ND 2.72	963697
ND 2.74	963699

Description	
Jet needle	Part no.
DN 8L2	963714
DN 6G1	261642
DN 9	961047
DN 11G2	961043
DN 11K2	961044
DN 15E5U	961046
DN 15K2	963718

d06840.fm

BRP-Rotax
ILLUSTRATED PARTS CATALOG

INTENTIONALLY LEFT BLANK

d06840.fm

BRP-Rotax
ILLUSTRATED PARTS CATALOG

INTENTIONALLY LEFT BLANK

d06629.fm

BRP-Rotax
ILLUSTRATED PARTS CATALOG

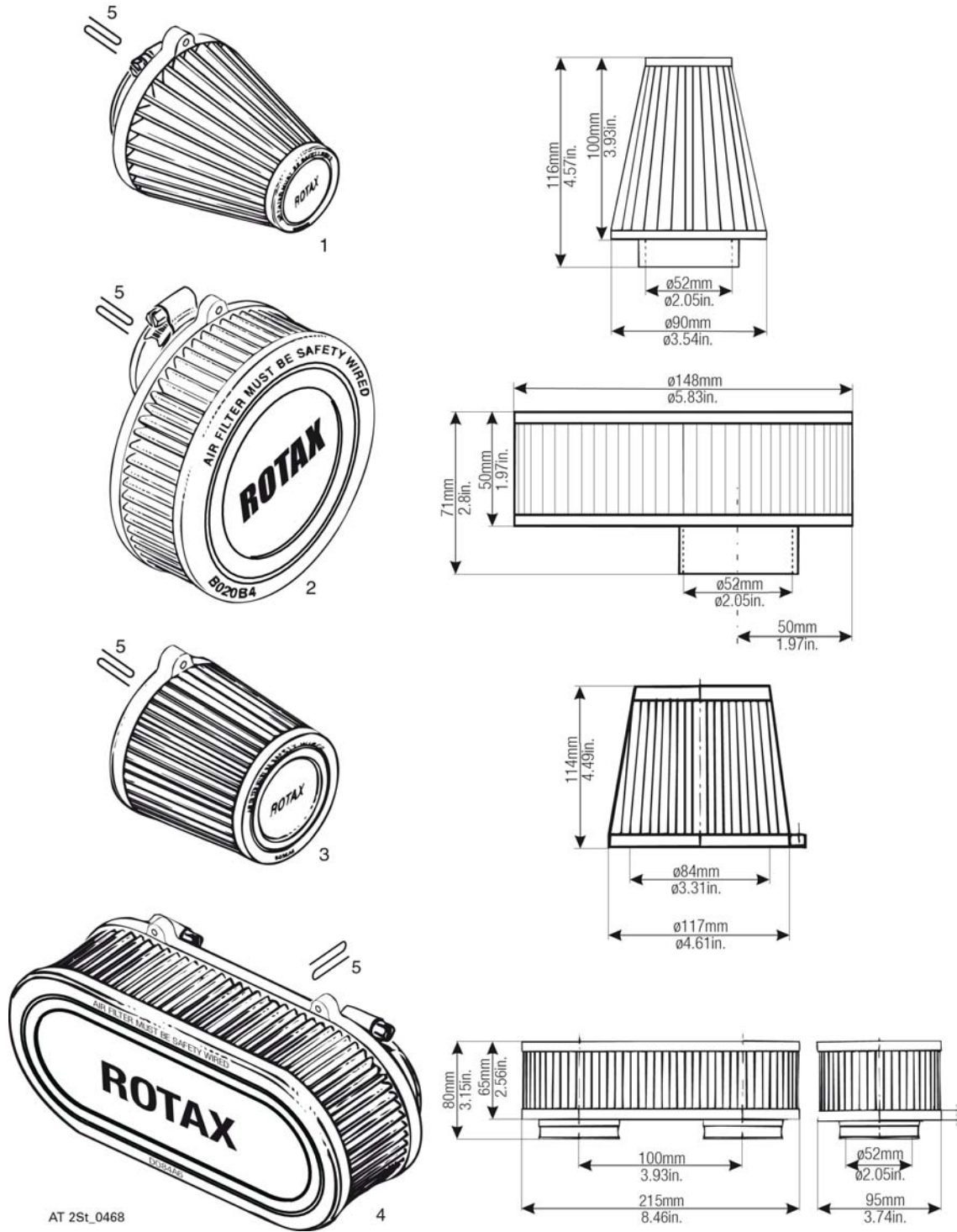


Fig. 73-10-00-1

d06629.fm

BRP-Rotax
ILLUSTRATED PARTS CATALOG

Chapter) 73-10-00
AIRFILTER (SINGLE/DOUBLE)

FIG & ITEM NO.	STATUS	PART NO.	INDENT	Description	Parts per Engine	
					582 UL mod. 99	582 UL mod. 17
1 1		825551	.1	AIRFILTER	2	2
2		825711	.1	AIRFILTER	2	2
3		825511	.1	AIRFILTER	1a	1a
4		825723	.1	AIRFILTER	1b	1b
5		.	.1	WIRE LOCK	ARc	ARc

- Items not illustrated

Filter installation sheet:

582 UL DCDI mod. 99 / mod. 17		
VERSION	582 UL - 48kW (with fresh oil pump)	582 UL - 48kW (without fresh oil pump)
SINGLE	part no. 825551 or 825711	
DOUBLE	part no. 825723	
with Intake silencer	part no. 825511	

- a Use at intake silencer version.
- b With fresh oil injection.
- c Not as spare part available.

d06629.fm

BRP-Rotax
ILLUSTRATED PARTS CATALOG

INTENTIONALLY LEFT BLANK

d06629.fm

BRP-Rotax
ILLUSTRATED PARTS CATALOG

INTENTIONALLY LEFT BLANK

d06630.fm

BRP-Rotax
ILLUSTRATED PARTS CATALOG

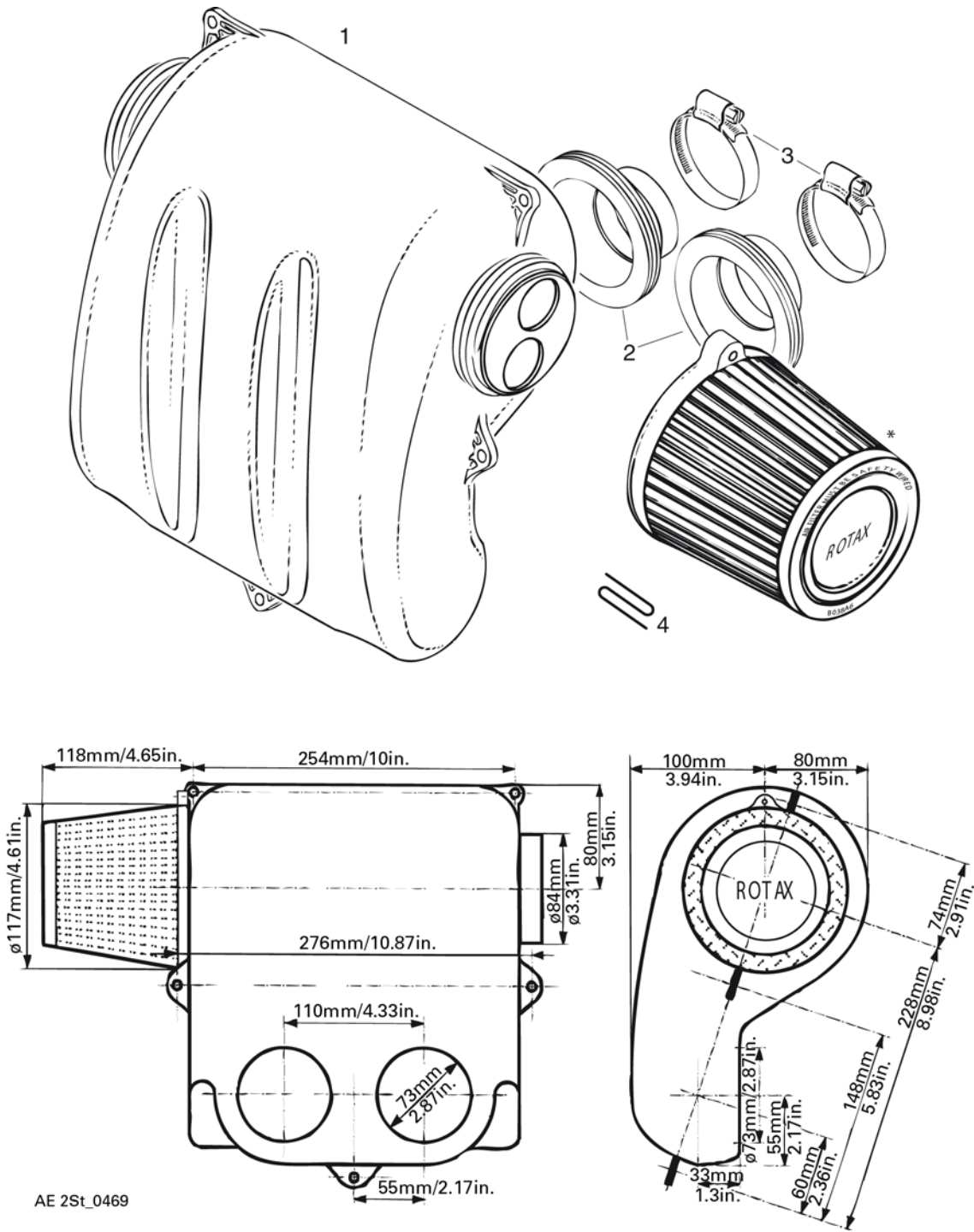


Fig. 73-10-00-2

d06630.fm

BRP-Rotax

ILLUSTRATED PARTS CATALOG

Chapter) 73-10-00 INTAKE SILENCER

FIG & ITEM NO.	STATUS	PART NO.	INDENT	Description	Parts per Engine	
					582 UL mod. 99	582 UL mod. 17
2 1-3		825762	.1	INTAKE SILENCER SET 2-V	1a	1a
1-3		825764	.1	INTAKE SILENCER SET 2-V	1b	1b
1		825657	..2	INTAKE SILENCER ASSY.	1a	1a
1		825659	..2	INTAKE SILENCER ASSY.	1b	1b
2		825662	..2	SILENCER SOCKET	2	2
3		951791	..2	CLAMP 50-70	2	2
4		.	.1	WIRE LOCK	ARc	ARc

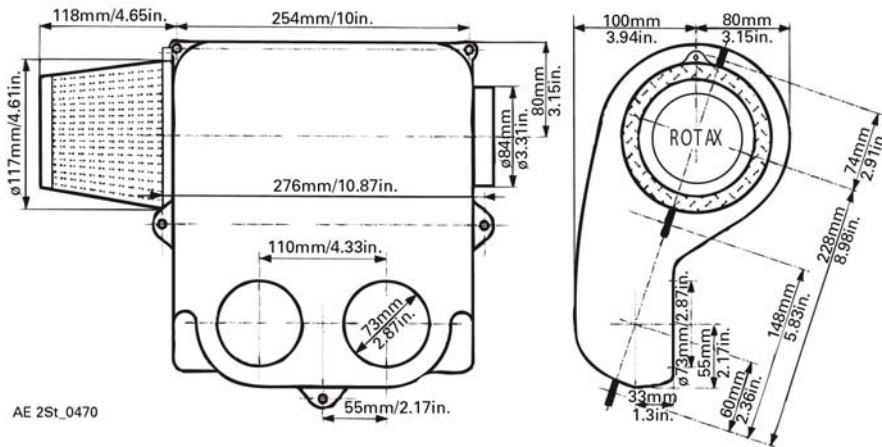
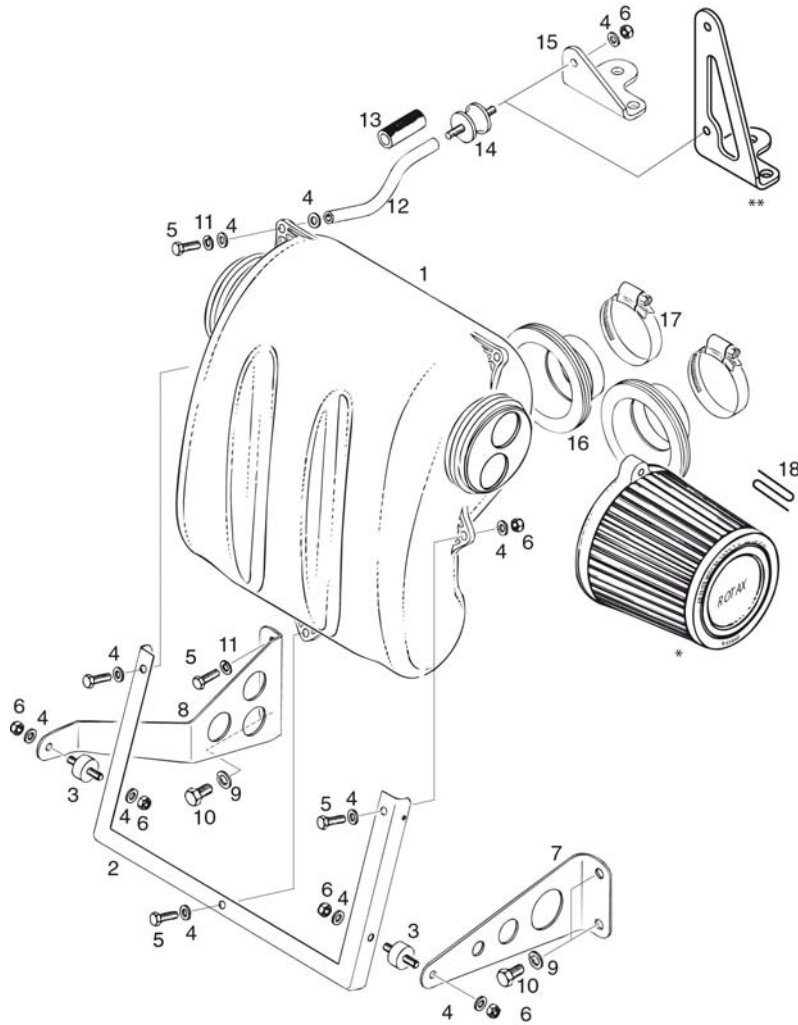
- Items not illustrated

- a If installed with filter on top.
- b If installed with filter on bottom.
- c Not as spare part available.

d06630.fm

BRP-Rotax

ILLUSTRATED PARTS CATALOG



AE 2St_0470

Fig. 73-10-00-3

d06630.fm

BRP-Rotax
ILLUSTRATED PARTS CATALOG

Chapter) 73-10-00
INTAKE SILENCER

FIG & ITEM NO.	STATUS	PART NO.	INDENT	Description	Parts per Engine	
					582 UL mod. 99	582 UL mod. 2017
3 1-17		825743	.1	INTAKE SILENCER SET 2-V	1	1
1-6		825740	.1	INTAKE SILENCER WITH FRAME	1	1
1		825656	..2	INTAKE SILENCER ASSY.	1	1
2		953151	..2	FRAME	1	1
3		860700	..2	RUBBER BUFFER 20x10xM6	2	2
4		244213	..2	WASHER 6.4	13	13
5		940563	..2	HEX. SCREW M6x20	5	5
6		842042	..2	LOCK NUT M6	8	8
7		953166	..2	INTAKE SILENCER BRACKET MS	1	1
8		953163	..2	INTAKE SILENCER BRACKET AS	1	1
9		845382	..2	LOCK WASHER A8	3	3
10		940583	..2	HEX. SCREW M8x16 STAINLESS STEEL	3	3
11		845381	..2	LOCK WASHER A6	2	2
12		847608	..2	DISTANCE BAR	1	1
13		956236	..2	PROTECTION HOSE	1	1
14		260657	..2	RUBBER BUFFER 25x20xM6	1	1
15		851129	..2	INTAKE SILENCER BRACKET	1	1
16		825662	..2	SILENCER SOCKET	2	2
17		951791	..2	CLAMP 50-70	2	2
18		.	.1	WIRE LOCK	ARa	ARa

- Items not illustrated

a) Not as spare part available.

d06630.fm

BRP-Rotax
ILLUSTRATED PARTS CATALOG

INTENTIONALLY LEFT BLANK

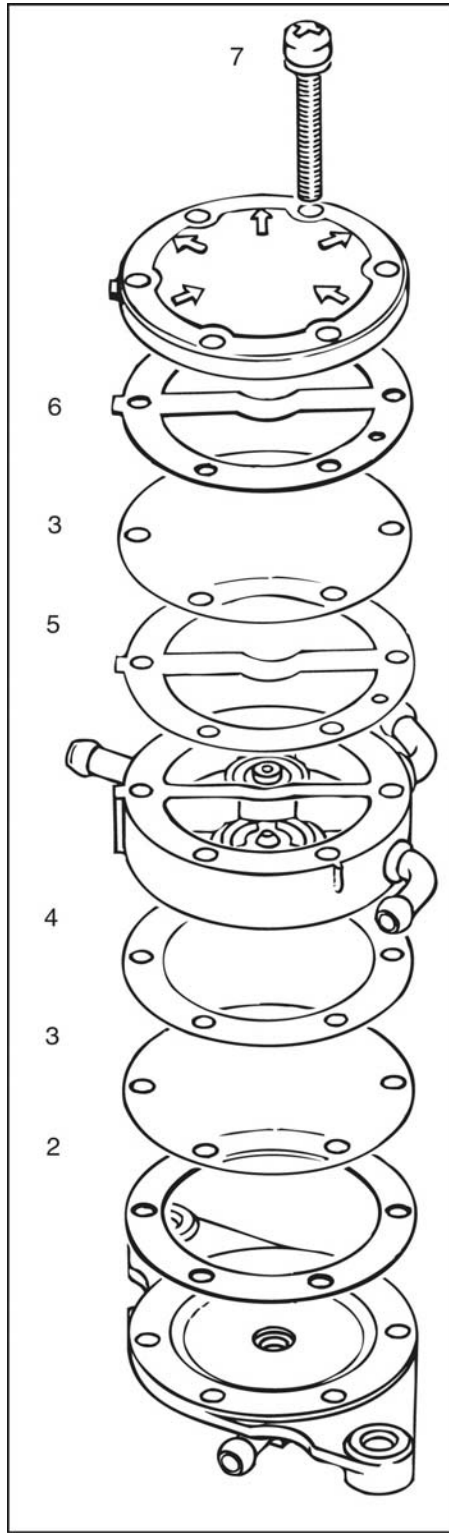
d06630.fm

BRP-Rotax
ILLUSTRATED PARTS CATALOG

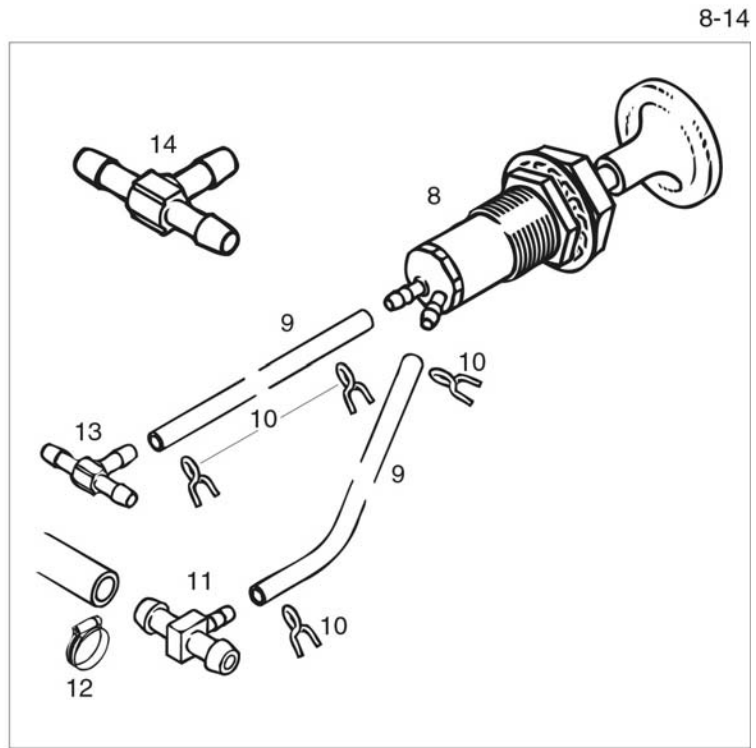
INTENTIONALLY LEFT BLANK

d06631.fm

BRP-Rotax
ILLUSTRATED PARTS CATALOG



1-7



8-14

Fig. 73-10-00-4

09060

d06631.fm

BRP-Rotax

ILLUSTRATED PARTS CATALOG

Chapter) 73-10-00

FUEL PUMP, PRIMER-PUMP FOR DOUBLE CARBURETOR

FIG & ITEM NO.	STATUS	PART NO.	INDENT	Description	Parts per Engine	
					582 UL mod. 99	582 UL mod. 17
4 1-7		994486	.1	FUEL PUMP DF 52-48	1	1
2		850441	..2	GASKET	1	1
3		861210	..2	DIAPHRAGM	2	2
4		850445	..2	GASKET	1	1
5		850447	..2	GASKET	1	1
6		850451	..2	GASKET	1	1
7		841035	..2	COMBINED SCREW M4x28	6	6
8-14		861620	.1	PRIMER KIT	1	1
8		861630	..2	PRIMER PUMP	1	1
9		874211	..2	FUEL LINE 3000 MM (118.11 IN)	1	1
10		938195	..2	CLAMP 5	8	8
11		974832	..2	REDUCTION T-PIECE 5-3-5	1	1
12		951898	..2	CLAMP 7-11	2	2
13		974837	..2	T-PIECE 3-3-3	1	1
14		974830	..2	T-PIECE 5-5-5	1	1

- Items not illustrated

d06631.fm

BRP-Rotax
ILLUSTRATED PARTS CATALOG

INTENTIONALLY LEFT BLANK

d06631.fm

BRP-Rotax
ILLUSTRATED PARTS CATALOG

INTENTIONALLY LEFT BLANK

d06632.fm

BRP-Rotax
ILLUSTRATED PARTS CATALOG

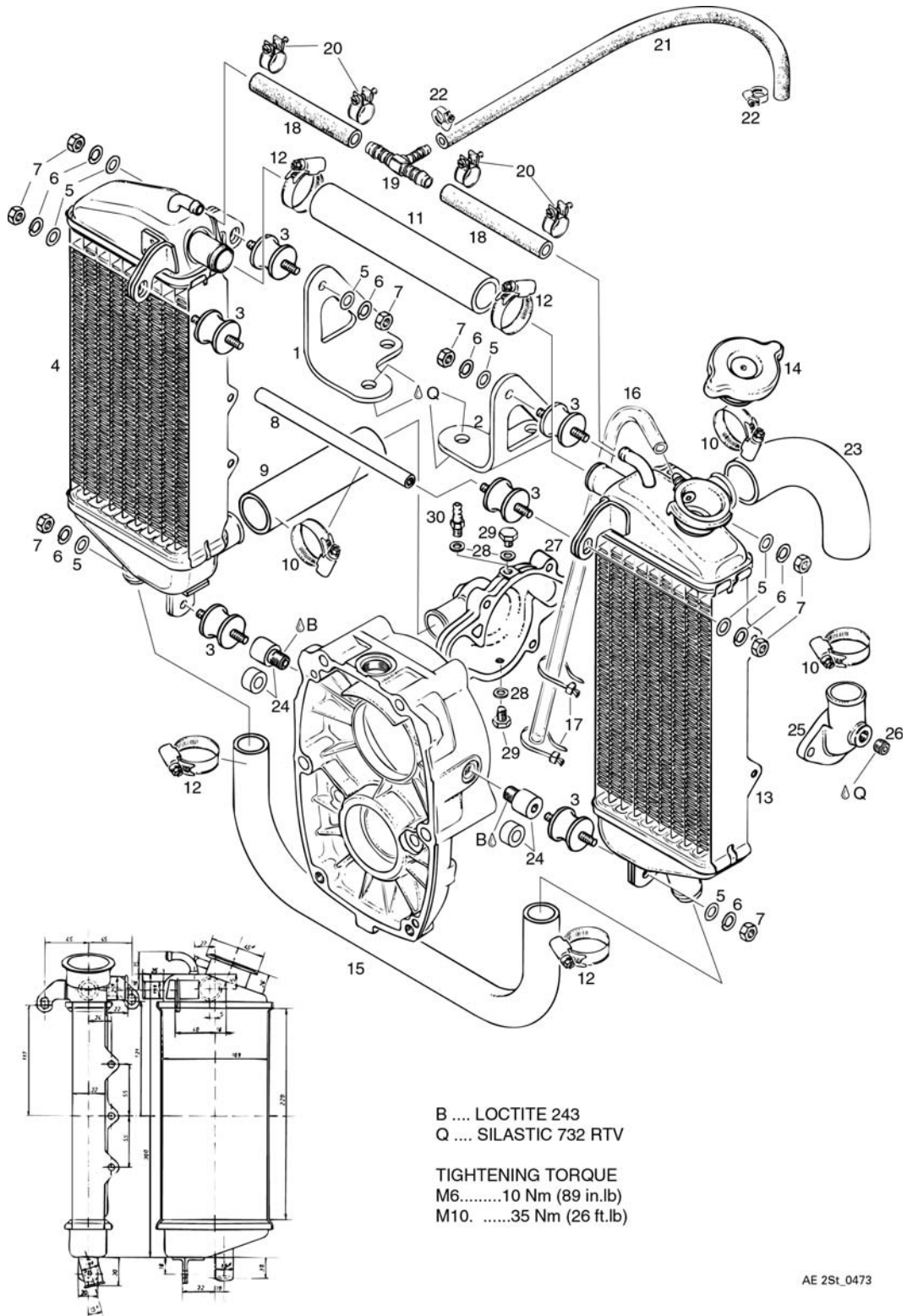


Fig. 75-20-00-1

d06632.fm

BRP-Rotax

ILLUSTRATED PARTS CATALOG

Chapter) 75-20-00

2-PIECE RADIATOR SET (LOW CONFIGURATION)

FIG & ITEM NO.	STATUS	PART NO.	INDENT	Description	Parts per Engine	
					582 UL mod. 99	582 UL mod. 17
1 1-23	n.a.	881430	.1	RADIATOR SET	1	1
1		851120	..2	RADIATOR BRACKET RIGHT	1	1
2		851125	..2	RADIATOR BRACKET LEFT	1	1
3		260657	..2	RUBBER BUFFER 25x20xM6	6	6
4		.	..2	RADIATOR WITHOUT FILLER CAP	1a	1a
5		244211	..2	WASHER 6.4	8	8
6		945751	..2	LOCK WASHER A6	8	8
7		242211	..2	HEX. NUT M6	8	8
8		847600	..2	DISTANCE TUBE	1	1
9	s.v.	922115	..2	CONNECTING HOSE 110 MM (4.33 IN)	1	
9		922117	..2	CONNECTING HOSE 110 MM (4.33 IN)	1	1
10		951880	..2	CLAMP 20-32	4	4
11		922124	..2	CONNECTING HOSE 150 MM (5.91 IN)	1	1
12		951870	..2	CLAMP 16-25	4	4
13	n.a.	995917	..2	RADIATOR WITH FILLER CAP	1a	1a
14		922072	..2	RADIATOR CAP WITH GASKET 1.2 bar	1	1
15		922193	..2	WATER TUBE	1	1
16		974530	..2	FUEL HOSE A5x8	ARe	ARe
16		.	..2	FUEL TUBE 250 MM (9.84 IN)	1	
17		866710	..2	TIE WRAP 142x2.5 MM	2	
18		956260	..2	LOW PRESSURE HOSE GC 7.5x12.5	ARe	
18		.	..2	RADIATOR HOSE 95 MM (3.74 IN)	2	
19		974839	..2	REDUCTION T-PIECE 8-6-8	1	
20		951241	..2	CLAMP 12	4	4

- Items not illustrated

d06632.fm

BRP-Rotax
ILLUSTRATED PARTS CATALOG

FIG & ITEM NO.	STATUS	PART NO.	INDENT	Description	Parts per Engine	
					582 UL mod. 99	582 UL mod. 17
21		860300	..2	LOW PRESSURE HOSE GC 6x11	ARe	ARe
21		.	..2	LOW PRESSURE HOSE 335 MM (13.19 IN)	1	1
22		951898	..2	CLAMP 7-11	2	2
23		922113	..2	BENT HOSE	1	1
24		847760	.1	THREADED SPACER M6/M10	2b	2b
24		847730	.1	SPACER 6.5/18/9	2c	2c
25		922061	.1	BENT OUTLET SOCKET	1	1
26		240480	.1	PLUG SCREW 1/8-27 NPT	1	
26		240481	.1	PLUG SCREW 1/8-27 NPT	1	1
27		922503	.1	WATER PUMP HOUSING	1	1
28		230415	.1	SEALING RING A 6x10	2	2
29		841581	.1	HEX. SCREW M6x8	2	2
30		940551	.1	HOSE NIPPLE	1d	1d

- Items not illustrated

- a Cooling surface 37.2 in²
- b From engine S/N 3916823
- c Up to engine S/N 4916822 inclusive.
- d For evacuation of air, at installation of engine with spark plugs down.
- e In a roll.

d06632.fm

BRP-Rotax
ILLUSTRATED PARTS CATALOG

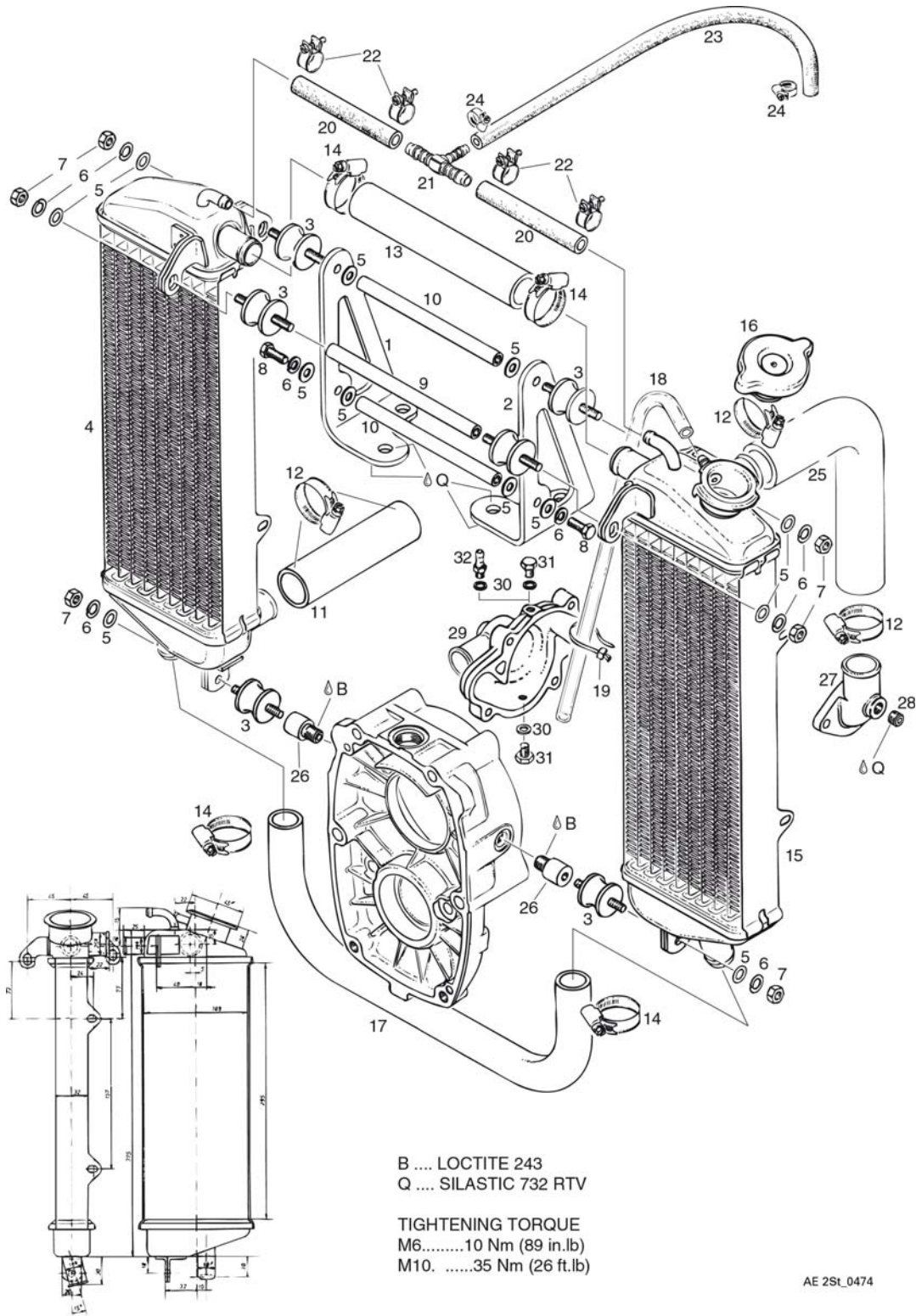


Fig. 75-20-00-2

d06633.fm

BRP-Rotax

ILLUSTRATED PARTS CATALOG

Chapter) 75-20-00 2-PIECE RADIATOR SET (HIGH CONFIGURATION)

FIG & ITEM NO.	STATUS	PART NO.	INDENT	Description	Parts per Engine	
					582 UL mod. 99	582 UL mod. 17
2	1-25	881433	.1	RADIATOR SET	1	1
1		851122	..2	RADIATOR BRACKET RIGHT	1	1
2		851127	..2	RADIATOR BRACKET LEFT	1	1
3		260657	..2	RUBBER BUFFER 25x20xM6	6	6
4		686330	..2	RADIATOR WITHOUT FILLER CAP	1a	1a
5		244211	..2	WASHER 6.4	12	12
6		945751	..2	LOCK WASHER A6	8	8
7		242211	..2	HEX. NUT M6	6	6
8	s.v.	241186	..2	HEX. SCREW M6x16	2	2
8		241187	..2	HEX. SCREW M6x16	2	2
9		847600	..2	DISTANCE TUBE	1	1
10		847605	..2	DISTANCE BOLT	2	2
11	s.v.	922115	..2	CONNECTING HOSE 110 MM (4.33 IN)	1	
11		922117	..2	CONNECTING HOSE 110 MM (4.33 IN)	1	1
12		951880	..2	CLAMP 20-32	4	4
13		922124	..2	CONNECTING HOSE 150 MM (5.91 IN)	1	1
14		951870	..2	CLAMP 16-25	4	4
15		686335	..2	RADIATOR WITH FILLER CAP	1a	1a
16		922072	..2	RADIATOR CAP WITH GASKET 1.2 bar	1	1
17		922193	..2	WATER TUBE	1	1
18		974530	..2	FUEL HOSE A5x8	ARd	ARd
18		.	..2	FUEL TUBE 250 MM (9.84 IN)	1	1
19		866710	..2	TIE WRAP 142x2.5 MM	1	1
20		956260	..2	LOW PRESSURE HOSE GC 7.5x12.5	1	1

- Items not illustrated

d06633.fm

BRP-Rotax
ILLUSTRATED PARTS CATALOG

FIG & ITEM NO.	STATUS	PART NO.	INDENT	Description	Parts per Engine	
					582 UL mod. 99	582 UL mod. 17
20		.	..2	RADIATOR HOSE 95 MM (3.74 IN)	2	2
21		974839	..2	REDUCTION T-PEACE 8-6-8	1	1
22		951241	..2	CLAMP 12	4	4
23		860300	..2	LOW PRESSURE HOSE GC 6x11	ARd	ARd
23		.	..2	LOW PRESSURE HOSE 365 MM (14.37 IN)	1	1
24		951898	..2	CLAMP 7-11	2	2
25		922382	..2	BENT HOSE 25/90 DEGR.	1	1
26		847730	.1	SPACER 6.5/18/9	2b	2b
27		922061	.1	BENT OUTLET SOCKET	1	1
28	s.v.	240480	.1	PLUG SCREW 1/8-27 NPT	1	1
28		240481	.1	PLUG SCREW 1/8-27 NPT	1	1
29		922503	.1	WATER PUMP HOUSING	1	1
30		230415	.1	SEALING RING A 6x10	2	2
31		841581	.1	HEX. SCREW M6x8	2	2
32		940551	.1	HOSE NIPPLE M6	1c	1c

- Items not illustrated

- a Cooling surface 49.6 in²
- b Up to engine S/N 4916822 inclusive.
- c For evacuation of air, at installation of engine with spark plugs down.
- d In a roll.

d06633.fm

BRP-Rotax
ILLUSTRATED PARTS CATALOG

INTENTIONALLY LEFT BLANK

d06633.fm

BRP-Rotax
ILLUSTRATED PARTS CATALOG

INTENTIONALLY LEFT BLANK

d06470.fm

BRP-Rotax

ILLUSTRATED PARTS CATALOG

Chapter) 75-20-00

2-PIECE RADIATOR SET FOR INVERTED ENGINE INSTALLATION

FIG & ITEM NO.	STATUS	PART NO.	INDENT	Description	Parts per Engine	
					582 UL mod. 99	582 UL mod. 17
1 1		851122	.1	RADIATOR BRACKET RIGHT	1	1
2		851127	.1	RADIATOR BRACKET LEFT	1	1
3		260657	.1	RUBBER BUFFER 25x20xM6	6	6
4	n.a.	995913	.1	RADIATOR WITHOUT FILLER CAP	1a	1a
5		244211	.1	WASHER 6.4	8	8
6		945751	.1	LOCK WASHER A6	8	8
7		242211	.1	HEX. NUT M6	2	2
8		241187	.1	HEX. SCREW M6x16	1	1
9		847600	.1	DISTANCE TUBE	2	2
10		847605	.1	DISTANCE BOLT	2	2
11	n.a.	922115	.1	CONNECTING HOSE 110 MM	2	2
11		922117	.1	CONNECTING HOSE 110 MM	8	8
12		951880	.1	CLAMP 20-32	1	1
13		922124	.1	CONNECTING HOSE 150 MM	2	2
14		951870	.1	CLAMP 16-25	1	1
15		922111	.1	BEND HOSE	2	2
16		222100	.1	WATER TUBE	1b	1b
17-18		922313	.1	EXPANSION TANK 90 DEGR.	1	1
18	n.a. N	922070 922072	..2	RADIATOR CAP WITH GASKET 1.2 BAR	1	1
19	n.a.	.	.1	RADIATOR WITHOUT FILLER CAP	1ac	1ac
20		956260	.1	LOW PRESSURE HOSE GC 8x12	ARb	ARb
20		.	.1	RADIATOR HOSE 1000 MM	2	
21		951241	.1	CLAMP 12	1	
22		860300	.1	LOW PRESSURE HOSE GC 6x11	ARb	

- Items not illustrated

d06470.fm

BRP-Rotax
ILLUSTRATED PARTS CATALOG

FIG & ITEM NO.	STATUS	PART NO.	INDENT	Description	Parts per Engine	
					582 UL mod. 99	582 UL mod. 17
22		.	.1	LOW PRESSURE HOSE 280 MM	2	2
23		951898	.1	CLAMP 7-11	2	2
24		922327	.1	OVERFLOW BOTTLE WITH CAP	1	1
25		922382	.1	BENT HOSE 25/90 DEGR.	1	1
26		922061	.1	BENT OUTLET SOCKET	1	1
27	n.a.	240480	.1	PLUG SCREW 1/8-27NPT	1	1
27		240481	.1	PLUG SCREW 1/8-27NPT	1	1
28		847760	.1	THREADED SPACER M6/M10	2	2
29		940551	.1	HOSE NIPPLE M6	1	1
30		240490	.1	STUD M8x84	1	1
31		922503	.1	WATER PUMP HOUSING, SEALING	1	1
32		230415	.1	RING A6x10	2	2
33		841581	.1	HEX. SCREW M6x8	2	2

- Items not illustrated

- a Cooling surface 3.2 dm² (49.6 in²)
- b In a roll.
- c No longer available

d06470.fm

BRP-Rotax
ILLUSTRATED PARTS CATALOG

INTENTIONALLY LEFT BLANK

d06471.fm

BRP-Rotax
ILLUSTRATED PARTS CATALOG

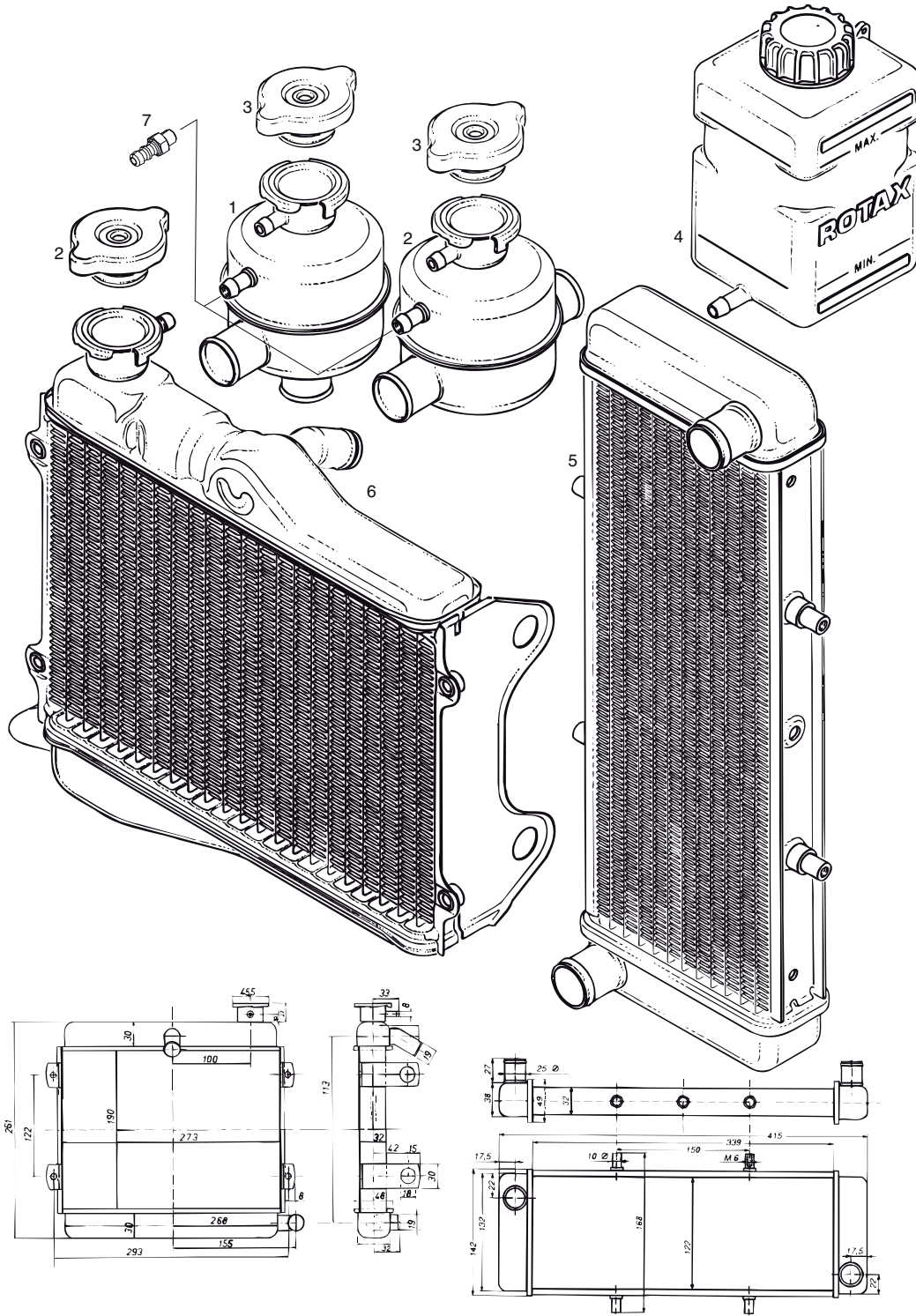


Fig. 75-20-00-4

09064

d06471.fm

BRP-Rotax

ILLUSTRATED PARTS CATALOG

Chapter) 75-20-00

1-PIECE RADIATOR, OVERFLOW BOTTLE AND EXPANSION TANK

FIG & ITEM NO.	STATUS	PART NO.	INDENT	Description	Parts per Engine	
					582 UL mod. 99	582 UL mod. 17
4 1-2		922313	.1	EXPANSION TANK ASSY. 90 DEGREE	1	1
2-3		922318	.1	EXPANSION TANK ASSY. 180 DEGREE	1	1
3	n.a. N	922070 922072	..2	RADIATOR CAP WITH GASKET 1.2 BAR	1	1
4		922327	.1	OVERFLOW BOTTLE WITH CAP	1	1
5	n.a. N	997083 997084	.1	RADIATOR	1	1
6	n.a.	995695	.1	RADIATOR	1	1
7		940551	.1	HOSE NIPPLE M6	1	1

- Items not illustrated

d06471.fm

BRP-Rotax
ILLUSTRATED PARTS CATALOG

INTENTIONALLY LEFT BLANK

d06471.fm

BRP-Rotax
ILLUSTRATED PARTS CATALOG

INTENTIONALLY LEFT BLANK

d06634.fm

BRP-Rotax
ILLUSTRATED PARTS CATALOG

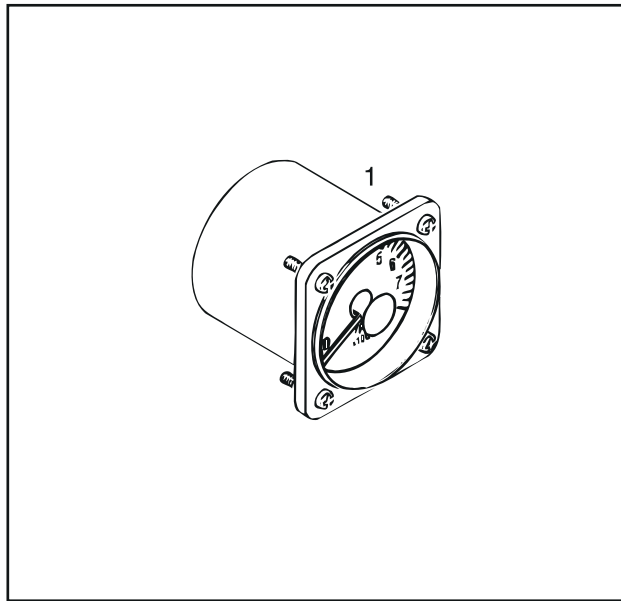


Fig. 76-20-00-1

08621

d06634.fm

BRP-Rotax

ILLUSTRATED PARTS CATALOG

Chapter) 76-20-00

INSTRUMENTS

Engine Type 582 UL mod. 99 conforms starting from engine S/N 6140347 the requirements of the ASTM 2339-04 classification.

Some components and accessory parts are not compliant -refer to Chapter 00-00-00.

FIG & ITEM NO.	STATUS	PART NO.	INDENT	Description	Parts per Engine	
					582 UL mod. 99	582 UL mod. 17
1 1		966405	.1	REVOLUTION COUNTER 0-8000 R.P.M	1	1

- Items not illustrated

d06634.fm

BRP-Rotax
ILLUSTRATED PARTS CATALOG

INTENTIONALLY LEFT BLANK

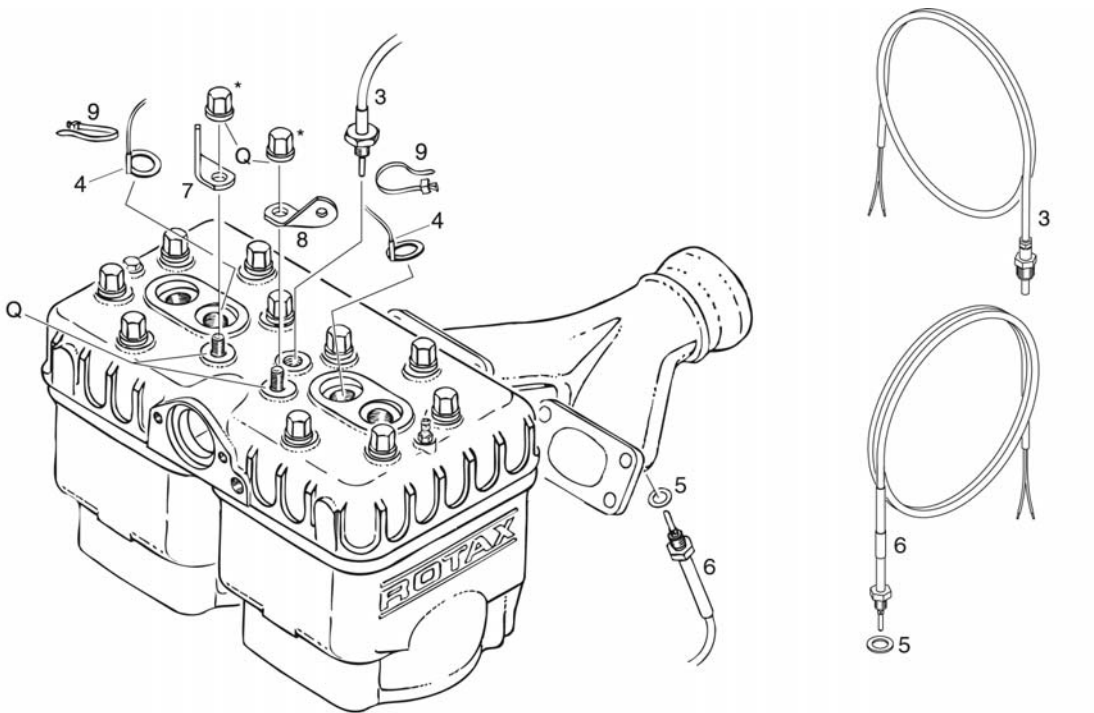
d06634.fm

BRP-Rotax
ILLUSTRATED PARTS CATALOG

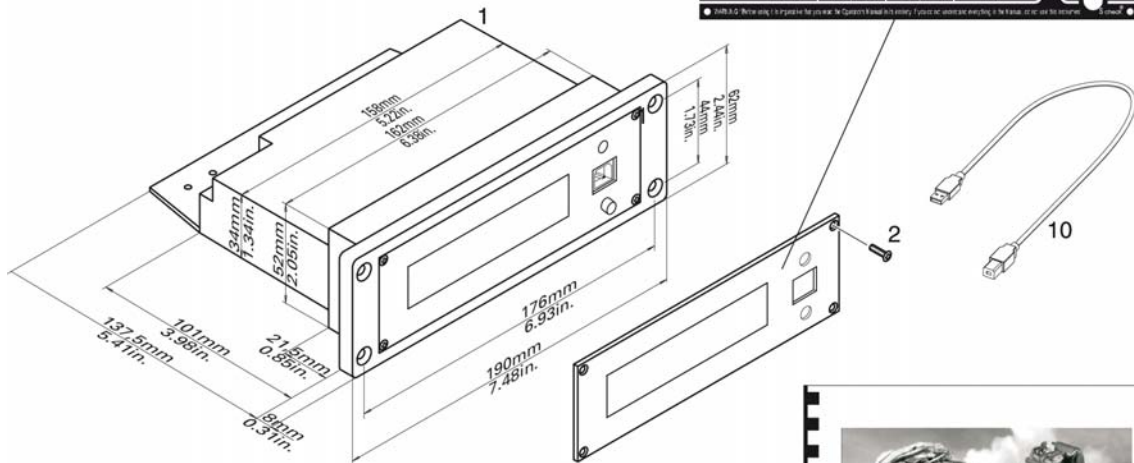
INTENTIONALLY LEFT BLANK

d06473.fm

BRP-Rotax
ILLUSTRATED PARTS CATALOG



Q SILASTIC 732 RTV



AE 2St_0472

Fig. 76-20-00-2

d06473.fm

BRP-Rotax
ILLUSTRATED PARTS CATALOG

Chapter) 76-20-00
FLYDAT

FIG & ITEM NO.	STATUS	PART NO.	INDENT	Description	Parts per Engine	
					582 UL mod. 99	582 UL mod. 17
2 1	n.a.	886858	.1	FLYDAT ASSY. ENGLISH	1e	1e
2	n.a.	941710	.1	COUNTER SUNK SCREW M2.5x10	4	4
3-9		886972	.1	SENSOR SET LC	ARg	
3		966381	..2	RESISTANCE SENSOR 1/8-27 NPT	2b	2b
4		966375	..2	SPARK PLUG THERMO COUPLE	2c	
5		966370	..2	THERMO COUPLE NICR-NI K	2d	2d
6		950141	..2	GASKET RING A 8x13	2	2
7		851266	..2	IGNITION COIL BRACKET 3	1	1
8		851268	..2	BRACKET	1	1
9		866710	..2	CLAMP 142x2.5 MM	2	2
10		.	.1	PC-CONNECTING CABLE	1e	1e
11		.	.1	OPERATORS MANUAL	1af	1af

- Items not illustrated

- a in English language
- b Sensor for water-and air temperature
- c Sensor for cylinder head temperature, only for M14 spark plugs
- d Sensor for exhaust gas temperature
- e New FLYDAT version/part for new FLYDAT with USB interface
- f Not available as a spare part. Is in the scope of supply of the FLYDAT monitoring set
- g For mod. 99 only

d06473.fm

BRP-Rotax
ILLUSTRATED PARTS CATALOG

INTENTIONALLY LEFT BLANK

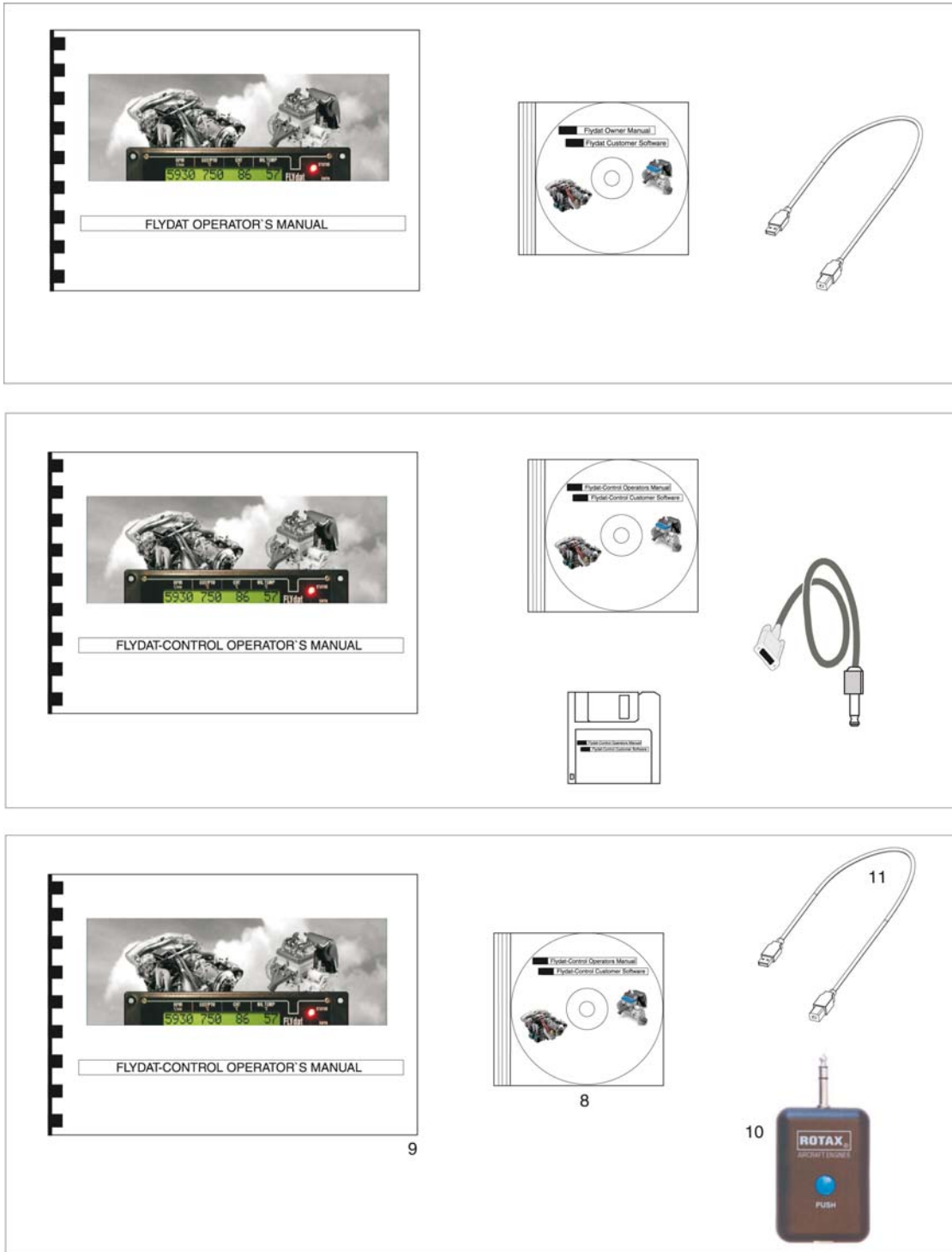
d06473.fm

BRP-Rotax
ILLUSTRATED PARTS CATALOG

INTENTIONALLY LEFT BLANK

d06474.fm

BRP-Rotax
ILLUSTRATED PARTS CATALOG



AE 2St_0485

Fig. 76-20-00-3

BRP-Rotax

ILLUSTRATED PARTS CATALOG

Chapter) 76-20-00

FLYDAT MONITORING / COMMUNICATION SET

FIG & ITEM NO.	STATUS	PART NO.	INDENT	Description	Parts per Engine	
					582 UL mod. 99	582 UL mod. 17
1 1	n.a.	.	.1	CD-ROM, MANUAL, SOFTWARE	1a	1a
2	n.a.	.	.1	OPERATORS MANUAL	1a	1a
3	n.a.	.	.1	COMMUNICATION CABLE USB 2.0 A TO B	1a	1a
4	n.a.	.	.1	DISKETTE 3 1/2 MANUAL A. SOFTWARE	1b	1b
5	n.a.	.	.1	CD-ROM , MANUAL SOFTWARE	1b	1b
6	n.a.	.	.1	OPERATORS MANUAL	1b	1b
7	n.a.	898380	.1	PC-CONNECTING CABLE	1	1
8-11		891315	.1	FLYDAT-MONITORING-SET	1	1
8-11		.	.1	FLYDAT-COMMUNICATION-SET	1d	1d
8		.	..2	CD-ROM, MANUAL, SOFTWARE	1c	1c
9		.	..2	OPERATORS MANUAL	1c	1c
10		.	..2	FLYDAT CONTROL UNIT	1c	1c
11		.	..2	COMMUNICATION CABLE USB 2.0 A TO B	1c	1c

- Items not illustrated

- a Not available as spare part. Is in the scope of supply of the FLYDAT assy. part no. 886858.
- b Not available as spare part. Is in the scope of supply of the FLYDAT assy. part no. 886857.
- c Not available as spare part. Is in the scope of supply of the FLYDAT monitoring set.
- d Only available for authorized distributors.

d06474.fm

BRP-Rotax
ILLUSTRATED PARTS CATALOG

INTENTIONALLY LEFT BLANK

d06474.fm

BRP-Rotax

ILLUSTRATED PARTS CATALOG

Chapter) 78-10-00**OVERVIEW OF THE EXHAUST SYSTEMS****Overview sheet:****582 UL DCDI mod. 99 / mod. 17 48 kW**

Version	Exhaust manifold assy.	Connecting elbow assy.	Muffler assy.	Hooks
SIDEMOUNT	part no. 973123	part no. 973182	part no. 973197	YES
1x90° (with connecting elbow)			part no. 973275	YES
STRAIGHT			part no. 973192	YES

Version	No exhaust manifold assy.	No connecting elbow assy.	No muffler assy.	Hooks
SIDEMOUNT	part no. 973121	part no. 973180	part no. 973274	NO
1x90° (with connecting elbow)				
STRAIGHT				

582 UL DCDI mod. 99 / mod. 17

Spring	Exhaust gasket	Gasket ring A8x13	Capstan screw M8x1x10
part no. 938790	part no. 850633	part no. 950141	part no. 941615

BRP-Rotax
ILLUSTRATED PARTS CATALOG

INTENTIONALLY LEFT BLANK

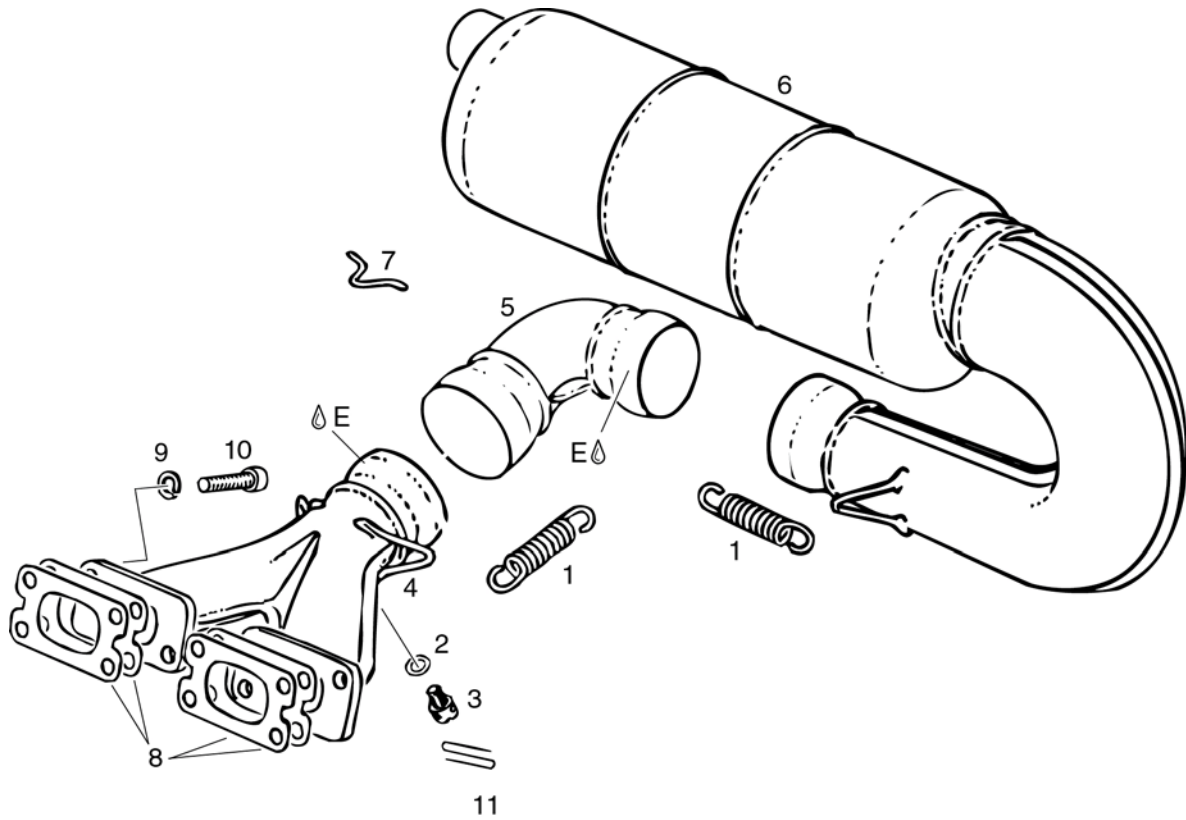
d06475.fm

BRP-Rotax
ILLUSTRATED PARTS CATALOG

INTENTIONALLY LEFT BLANK

d06476.fm

BRP-Rotax
ILLUSTRATED PARTS CATALOG



E LOCTITE ANTI SEIZE

TIGHTENING TORQUE
M8.....24 Nm (18 ft.lb)

AE 2St_0476

Fig. 78-10-00-1

d06476.fm

BRP-Rotax

ILLUSTRATED PARTS CATALOG

Chapter) 78-10-00

EXHAUST SYSTEMS CONFIGURATION SIDEMOUNT

FIG & ITEM NO.	STATUS	PART NO.	INDENT	Description	Parts per Engine	
					582 UL mod. 99	582 UL mod. 17
1	1-7	881632	.1	EXHAUST ASSORTMENT	1	1
	1-7	881636	.1	EXHAUST ASSORTMENT	1	1
	1	938790	.1	RETURN SPRING	6	6
	2	950141	.1	GASKET RING A 8x13	2	2
	3	941615	.1	CAPSTAN SCREW M8x1x10	2	2
	4	973121	.1	EXHAUST MANIFOLD ASSY.	1a	1a
	4	973123	.1	EXHAUST MANIFOLD ASSY.	1b	1b
	5	973180	.1	CONNECTING ELBOW ASSY.	1a	1a
	5	973182	.1	CONNECTING ELBOW ASSY.	1b	1b
	6	973197	.1	MUFFLER ASSY.	1a	1a
	7	853355	.1	HOOK	AR	AR
	8	850633	.1	GASKET	2c	2c
	9	945832	.1	LOCK WASHER A8	6	6
	10	840992	.1	ALLEN SCREW M8x30	6	6
	11	.	.1	WIRE LOCK	AR	AR

- Items not illustrated

- a Without hooks
- b With hooks
- c See also SI-2ST-002

d06476.fm

BRP-Rotax
ILLUSTRATED PARTS CATALOG

INTENTIONALLY LEFT BLANK

d06476.fm

BRP-Rotax
ILLUSTRATED PARTS CATALOG

INTENTIONALLY LEFT BLANK

d06477.fm

BRP-Rotax
ILLUSTRATED PARTS CATALOG

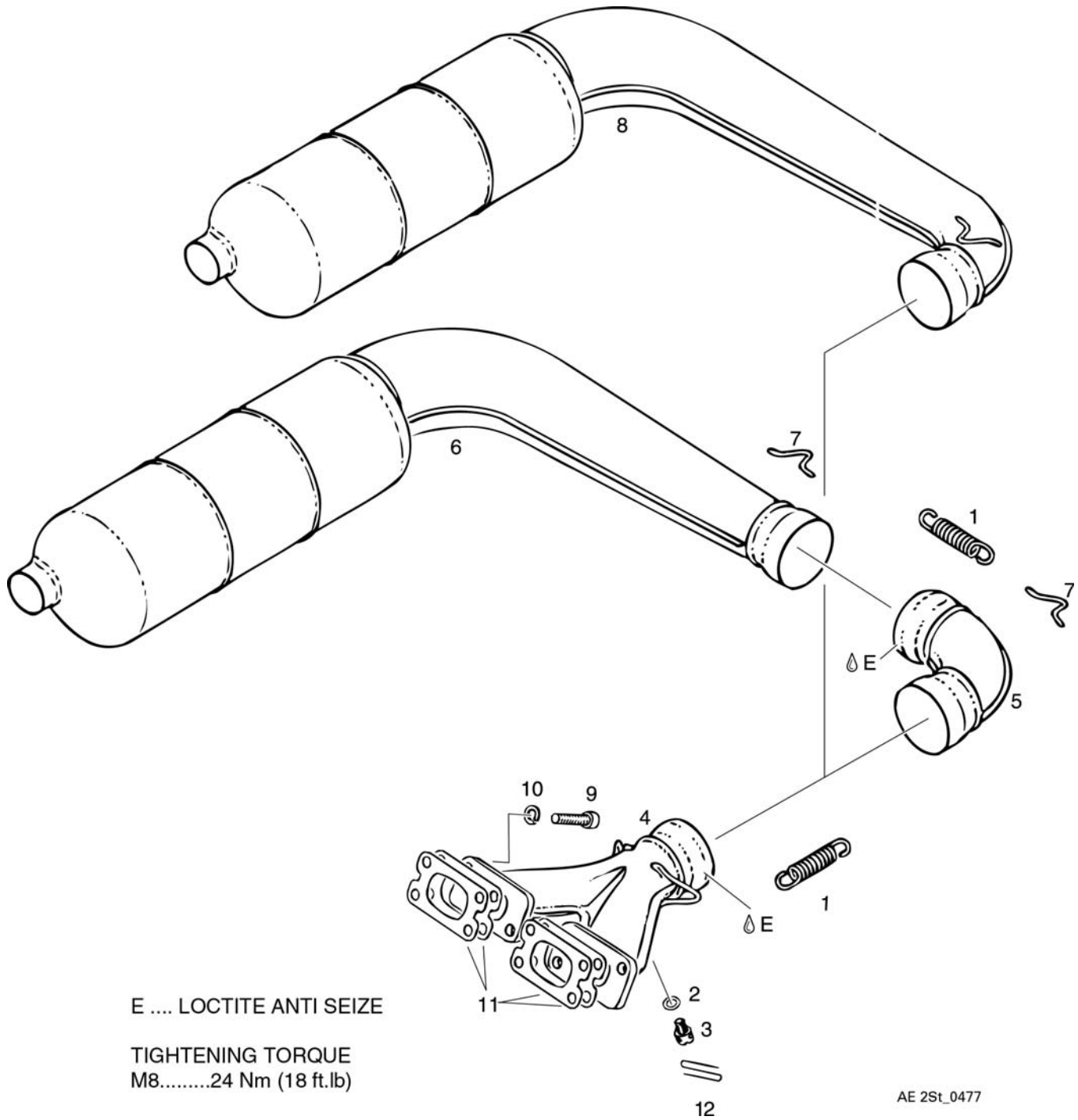


Fig. 78-10-00-2

d06477.fm

BRP-Rotax

ILLUSTRATED PARTS CATALOG

EXHAUST SYSTEMS CONFIG. 1x90° WITH CONNECTING ELBOW AND 2x90°

FIG & ITEM NO.	STATUS	PART NO.	INDENT	Description	Parts per Engine	
					582 UL mod. 99	582 UL mod. 17
1 1-6		881634	.1	EXHAUST ASSORTMENT	1b	1b
1-7		881633	.1	EXHAUST ASSORTMENT	1a	1a
1		938790	..2	RETURN SPRING	6	6
2		950141	..2	GASKET RING A 8x13	2	2
3		941615	..2	CAPSTAN SCREW M8x1x10	2	2
4		973121	..2	EXHAUST MANIFOLD ASSY.	1c	1c
4		973123	..2	EXHAUST MANIFOLD ASSY.	1b	1b
5		973180	..2	CONNECTING ELBOW ASSY.	1c	1c
5		973182	..2	CONNECTING ELBOW ASSY.	1b	1b
6		973274	..2	MUFFLER ASSY.	1c	1c
6		973275	..2	MUFFLER ASSY.	1b	1b
7		853355	..2	HOOK	AR	AR
8	n.a.	973195	.1	MUFFLER ASSY.	1b	1b
9		840992	.1	ALLEN SCREW M8x30	6	6
10		945832	.1	LOCK WASHER A8	6	6
11		850114	.1	GASKET 1.0 MM (0.04 IN.)	2d	2d
12		.	.1	WIRE LOCK	AR	AR

- Items not illustrated

- a Hooks (part no. 853355) attached, not welded.
- b Hooks (part no. 853355) already welded.
- c Without hooks.
- d See also SI-2ST-002.

d06477.fm

BRP-Rotax
ILLUSTRATED PARTS CATALOG

INTENTIONALLY LEFT BLANK

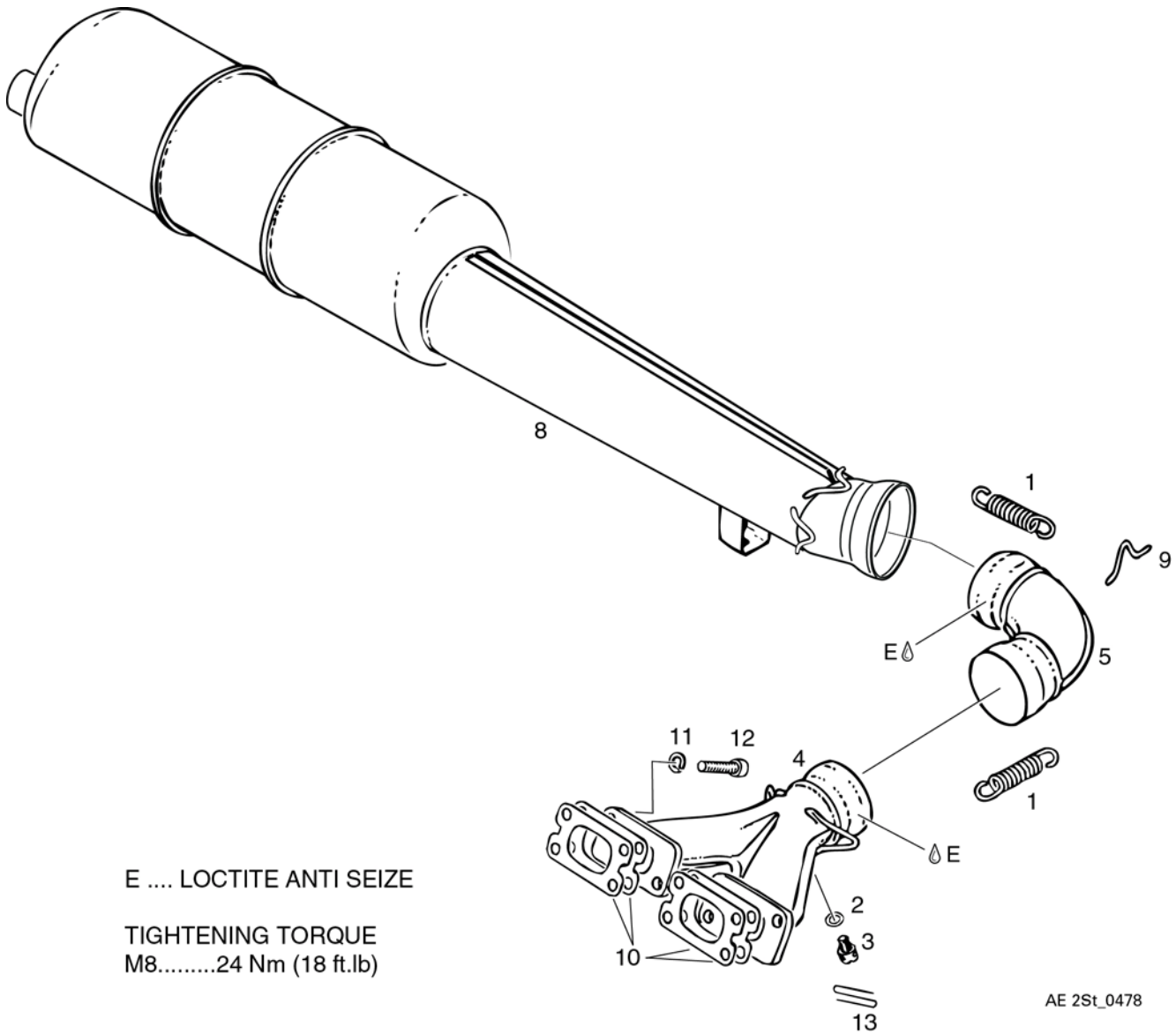
d06477.fm

BRP-Rotax
ILLUSTRATED PARTS CATALOG

INTENTIONALLY LEFT BLANK

d06478.fm

BRP-Rotax
ILLUSTRATED PARTS CATALOG



E LOCTITE ANTI SEIZE
TIGHTENING TORQUE
M8.....24 Nm (18 ft.lb)

AE 2St_0478

Fig. 78-10-00-3

d06478.fm

BRP-Rotax

ILLUSTRATED PARTS CATALOG

Chapter) 78-10-00

EXHAUST SYSTEM CONFIGURATION: STRAIGHT

FIG & ITEM NO.	STATUS	PART NO.	INDENT	Description	Parts per Engine	
					582 UL mod. 99	582 UL mod. 17
3 1-6		881631	.1	EXHAUST ASSORTMENT	1	1
1		938790	..2	RETURN SPRING	6	6
2		950141	..2	GASKET RING A 8x13	2	2
3		941615	..2	CAPSTAN SCREW M8x1x10	2	2
4		973121	..2	EXHAUST MANIFOLD ASSY.	1a	1a
4		973123	..2	EXHAUST MANIFOLD ASSY.	1b	1b
5		973180	..2	CONNECTING ELBOW ASSY.	1a	1a
5		973182	..2	CONNECTING ELBOW ASSY.	1b	1b
6		973192	..2	MUFFLER ASSY.	1a	1a
7		853355	.1	HOOK	AR	AR
8		850633	.1	GASKET	2c	2c
9		945832	.1	LOCK WASHER A8	6	6
10		840992	.1	ALLEN SCREW M8x30	6	6
11		.	.1	WIRE LOCK	AR	AR

- Items not illustrated

- a Without hooks.
- b With hooks.
- c See SI-2ST-002.

d06478.fm

BRP-Rotax
ILLUSTRATED PARTS CATALOG

INTENTIONALLY LEFT BLANK

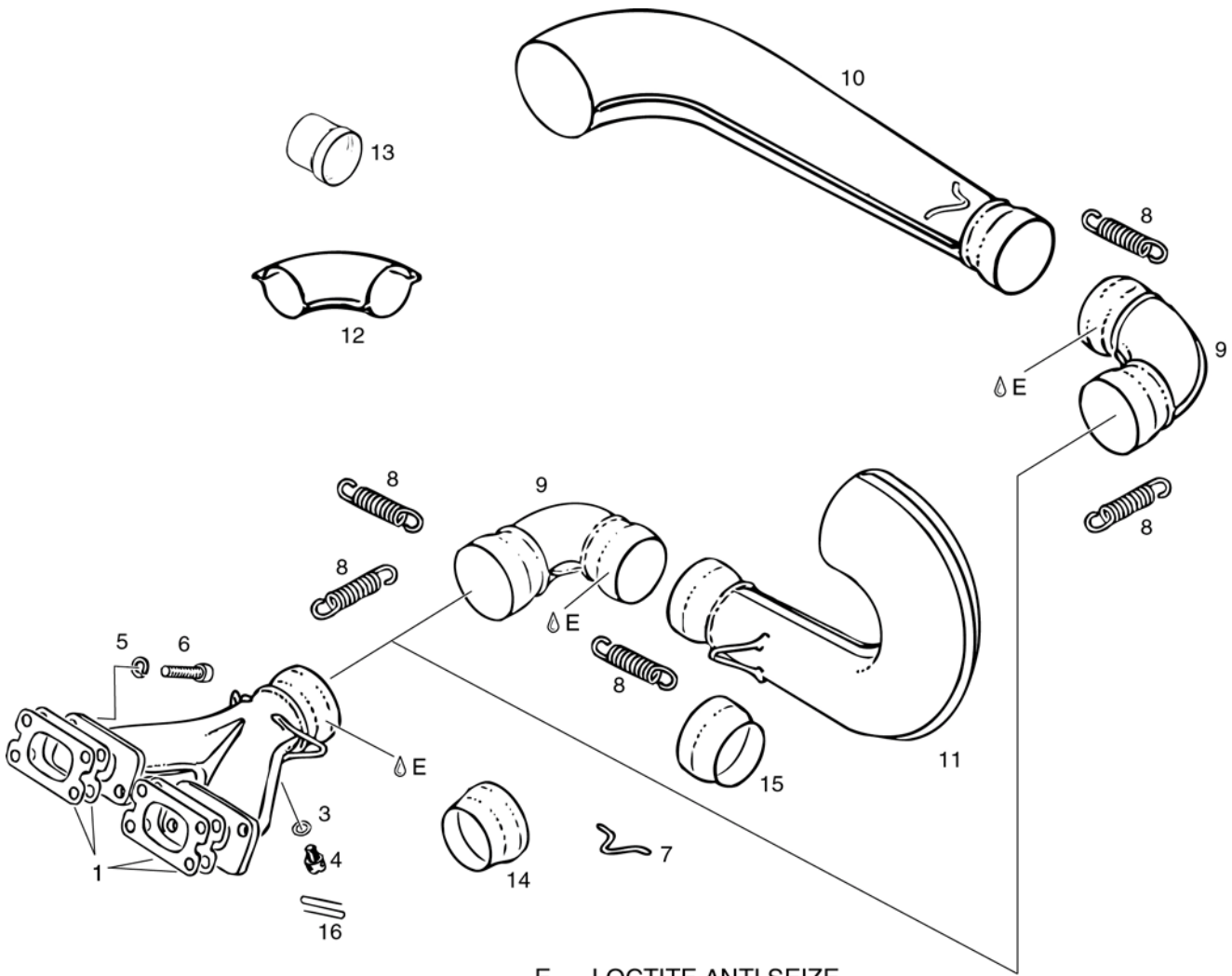
d06478.fm

BRP-Rotax
ILLUSTRATED PARTS CATALOG

INTENTIONALLY LEFT BLANK

d06479.fm

BRP-Rotax
ILLUSTRATED PARTS CATALOG



E LOCTITE ANTI SEIZE

TIGHTENING TORQUE
M8.....24 Nm (18 ft.lb)

AE 2St_0479

Fig. 78-10-00-4

d06479.fm

BRP-Rotax
 ILLUSTRATED PARTS CATALOG
Chapter) 78-10-00
EXHAUST SYSTEMS SINGLE PARTS

FIG & ITEM NO.	STATUS	PART NO.	INDENT	Description	Parts per Engine	
					582 UL mod. 99	582 UL mod. 17
4 1		850633	.1	GASKET	2f	2f
2		973121	.1	EXHAUST MANIFOLD ASSY.	1a	1a
2		973123	.1	EXHAUST MANIFOLD ASSY.	1b	1b
3		950141	.1	GASKET RING A8x13	2	2
4		941615	.1	CAPSTAN SCREW M8x1x10	2	2
5		945832	.1	LOCK WASHER A8	6	6
6		840992	.1	ALLEN SCREW M8x30	6	6
7		853355	.1	HOOK	AR	AR
8		938790	.1	RETURN SPRING	AR	AR
9		973180	.1	CONNECTING ELBOW ASSY.	1a	1a
9		973182	.1	CONNECTING ELBOW ASSY.	1b	1b
10		973546	.1	INLET CONE ASSY.	1b	1b
11		973544	.1	INLET CONE ASSY.	1a	1a
12		879920	.1	OUTLET ELBOW ASSY.	1	1
13		978640	.1	OUTLET TUBE	1c	1c
14		878660	.1	BALL JOINT	1d	1d
15		878666	.1	BALL JOINT	1e	1e
16		.	.1	WIRE LOCK	AR	AR

- Items not illustrated

- a Without hooks.
- b With hooks.
- c For configuration with clamped muffler.
- d For exhaust manifold.
- e For inlet cones.
- f See SI-2ST-002.

d06479.fm

BRP-Rotax
ILLUSTRATED PARTS CATALOG

INTENTIONALLY LEFT BLANK

d06479.fm

BRP-Rotax
ILLUSTRATED PARTS CATALOG

INTENTIONALLY LEFT BLANK

d06841.fm

BRP-Rotax
ILLUSTRATED PARTS CATALOG

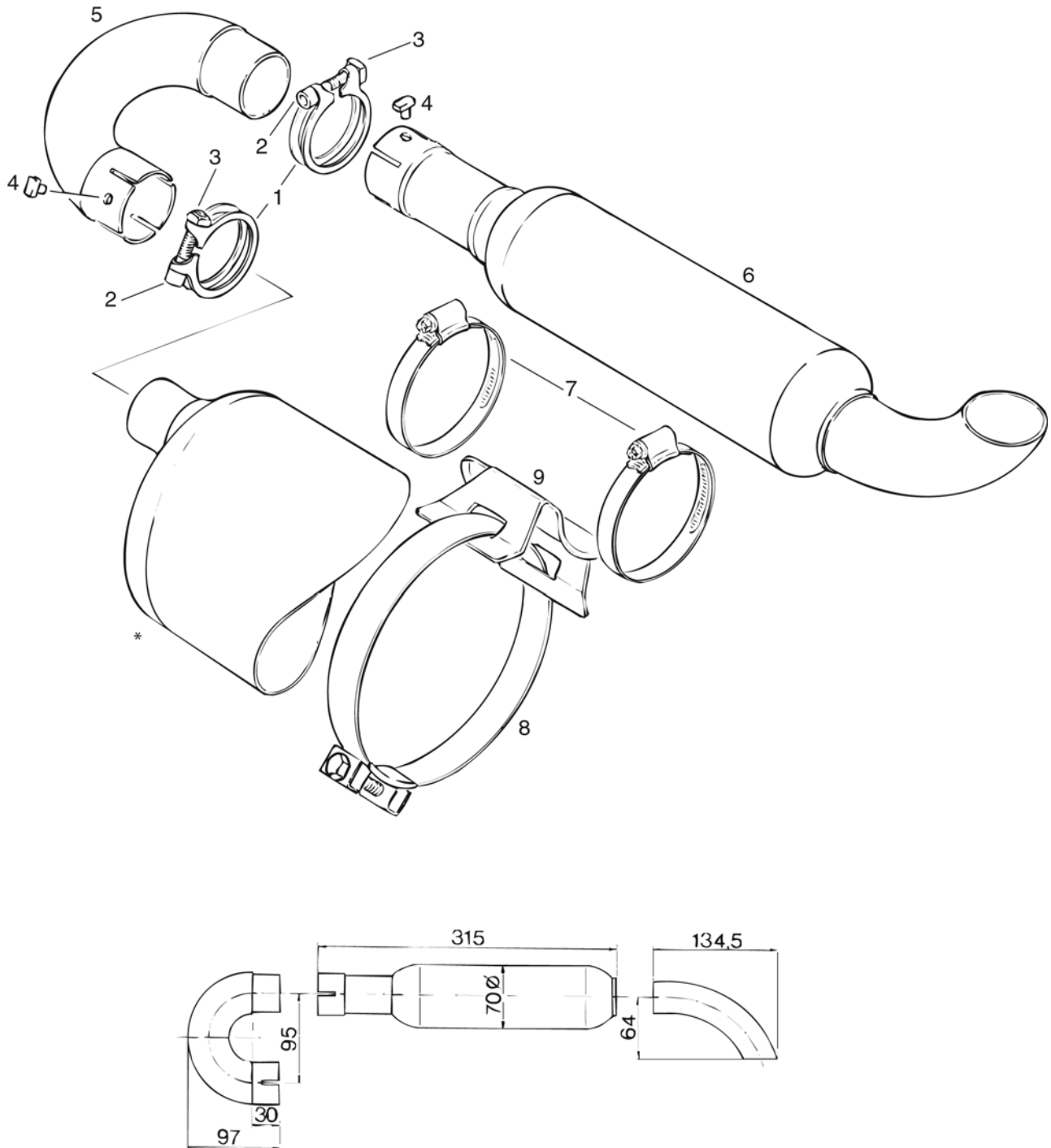


Fig. 78-10-00-5

04444

d06841.fm

BRP-Rotax

ILLUSTRATED PARTS CATALOG

Chapter) 78-10-00

AFTER-MUFFLER ASSY, CLAMPED CONFIGURATION

FIG & ITEM NO.	STATUS	PART NO.	INDENT	Description	Parts per Engine	
					582 UL mod. 99	582 UL mod. 17
5 1-9		978650	.1	MUFFLER KIT	1	1
1,2,3,4 ,7,8,9		881870	.1	PARTS SET AFTER MUFFLER	1	1
1		953251	..2	CLAMP 42	2	2
2		241811	..2	ALLEN SCREW M6x35	2	2
3		942992	..2	SQUARE NUT M6	2	2
4		929921	..2	SECURITY BOLT	2	2
5		878407	..2	ELBOW ASSY.	1	1
6		878967	..2	MUFFLER ASSY.	1	1
7		851130	..2	CLAMP 60-80	2	2
8		851140	..2	HOSE CLAMP 140	1	1
9		851150	..2	MUFFLER HOLDER	1	1

- Items not illustrated

d06841.fm

BRP-Rotax
ILLUSTRATED PARTS CATALOG

INTENTIONALLY LEFT BLANK

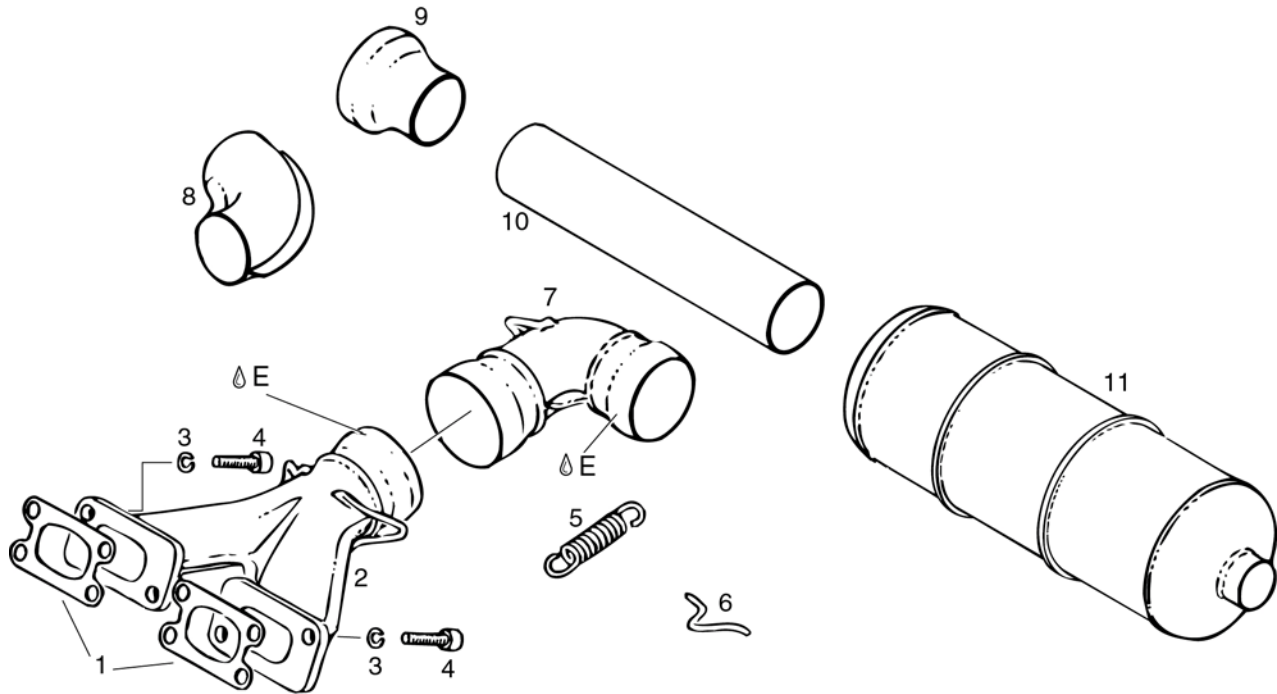
d06841.fm

BRP-Rotax
ILLUSTRATED PARTS CATALOG

INTENTIONALLY LEFT BLANK

d06481.fm

BRP-Rotax
ILLUSTRATED PARTS CATALOG



E LOCTITE ANTI SEIZE

TIGHTENING TORQUE
M8.....24 Nm (18 ft.lb)

AE 2St_0480

Fig. 78-10-00-6

d06481.fm

BRP-Rotax
ILLUSTRATED PARTS CATALOG

Chapter) 78-10-00
EXHAUST SYSTEM

FIG & ITEM NO.	STATUS	PART NO.	INDENT	Description	Parts per Engine	
					582 UL mod. 99	582 UL mod. 17
6 1		850633	.1	GASKET	2c	2c
2		973121	.1	EXHAUST MANIFOLD ASSY.	1a	1a
2		973123		EXHAUST MANIFOLD ASSY.	1b	1b
3		945832	.1	LOCK WASHER A8	6	6
4		840992	.1	ALLEN SCREW M8x30	6	6
5		938790	.1	RETURN SPRING	8	8
6		853355	.1	HOOK	16	16
7		973180	.1	CONNECTING ELBOW ASSY.	1a	1a
7		973182	.1	CONNECTING ELBOW ASSY.	1b	1b
8		878677	.1	BENT TUBE ASSY.	2	2
9		878666	.1	BALL JOINT	1	1
10		973282	.1	INLET TUBE 500 MM (19.69 IN.)	1	1
11	n.a.	973255	.1	MUFFLER ASSY. 60 MM (2.36 IN.)	1a	1a

- Items not illustrated

- a Without hooks.
- b With hooks.
- c See SI-2ST-002.

d06481.fm

BRP-Rotax
ILLUSTRATED PARTS CATALOG

INTENTIONALLY LEFT BLANK

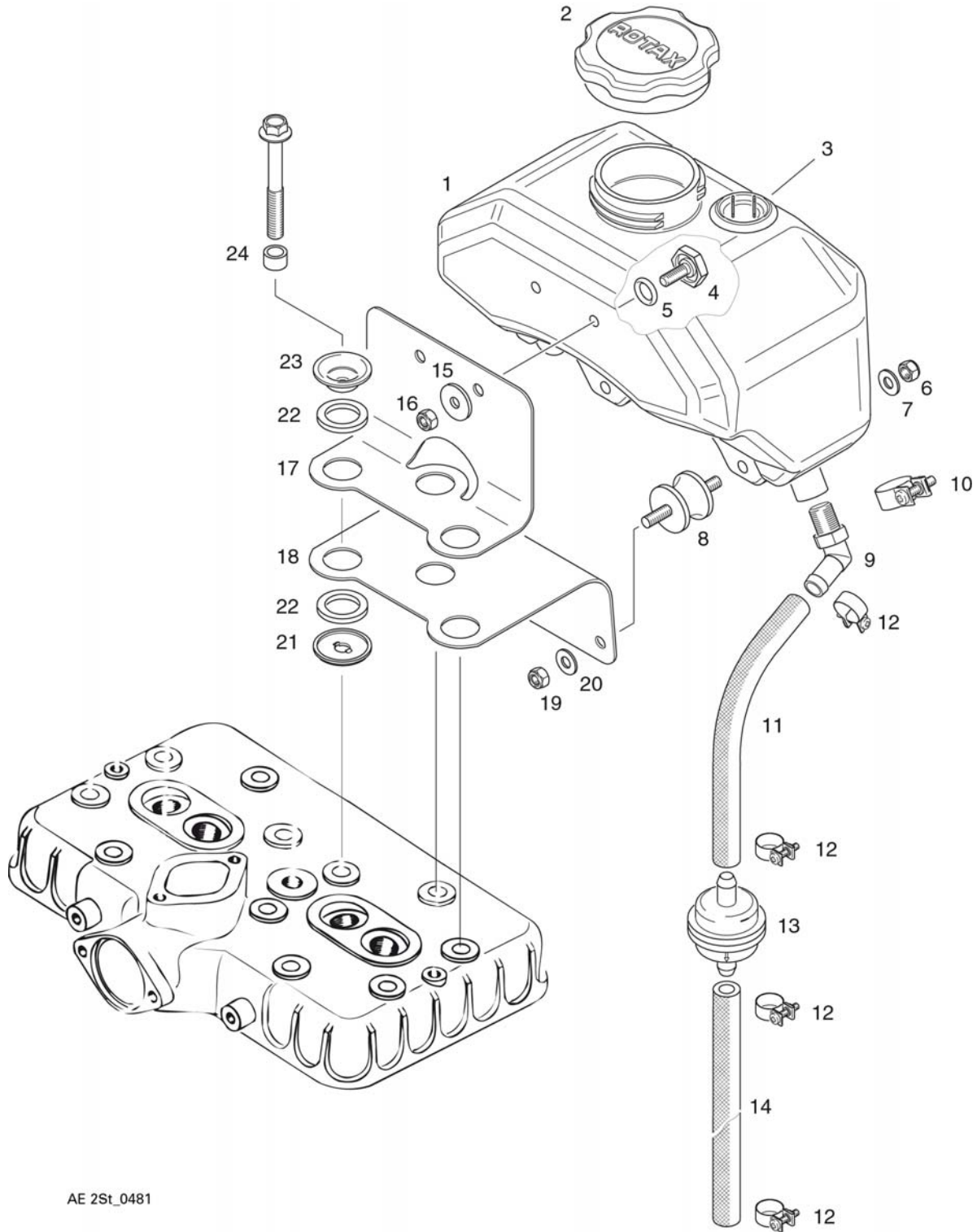
d06481.fm

BRP-Rotax
ILLUSTRATED PARTS CATALOG

INTENTIONALLY LEFT BLANK

d06482.fm

BRP-Rotax
ILLUSTRATED PARTS CATALOG



AE 2St_0481

Fig. 79-00-00-1

d06482.fm

BRP-Rotax

ILLUSTRATED PARTS CATALOG

Chapter) 79-00-00

OIL TANK ASSY

Engine Type 582 UL mod. 99 conforms starting from engine S/N 6140347 the requirements of the ASTM 2339-04 classification.

Some components and accessory parts are not compliant -refer to Chapter 00-00-00.

FIG & ITEM NO.	STATUS	PART NO.	INDENT	Description	Parts per Engine	
					582 UL mod. 99	582 UL mod. 17
1 1-24		881465	.1	OIL TANK SET WITH BRACKETS	1	1
1-16		881460	.1	OIL TANK SET	1	1
2		874106	..2	TANK CAP ASSY.	1	1
3		956360	..2	OIL LEVEL INDICATOR	1	1
4		840160	..2	TIGHTENING SCREW	2a	2a
5		430020	..2	O-RING 9.3x2.4	2a	2a
6		842042	..2	LOCK NUT M6	2	2
7		244211	..2	WASHER 6.4	2	2
8		260657	..2	RUBBER BUFFER 25x20xM6	2	2
9		922242	..2	ANGULAR TUBE 1/4-18NPT	1	1
10	s.v.	853726	..2	CLAMP 16/9	1	1
10		853515	..2	CLAMP 16/9	1	1
11		956231	..2	OIL LINE 140 MM	1	1
12		951260	..2	CLAMP 14	4	4
13		956330	..2	OIL FILTER	1	1
14		956233	..2	OIL LINE 450 MM	1	1
15		227900	..2	WASHER 6.2/20/2	2	2
16		842042	..2	LOCK NUT M6	2	2
17		851230	..2	OIL TANK BRACKET UPPER HALF	1	1
18		851235	..2	OIL TANK BRACKET LOWER HALF	1	1
19		842042	..2	LOCK NUT M6	2	2
20		244211	..2	WASHER 6.4	2	2
21		944092	..2	SHIM 8.2	3	3

- Items not illustrated

d06482.fm

BRP-Rotax
ILLUSTRATED PARTS CATALOG

FIG & ITEM NO.	STATUS	PART NO.	INDENT	Description	Parts per Engine	
					582 UL mod. 99	582 UL mod. 17
22		960865	..2	RUBBER WASHER 18/26/3	6	6
23		827817	..2	CUP WASHER	3	3
24		847796	..2	SPACER 8.4/12/7.5	3	3

- Items not illustrated

- a Not available as spare part, use part no. 881460

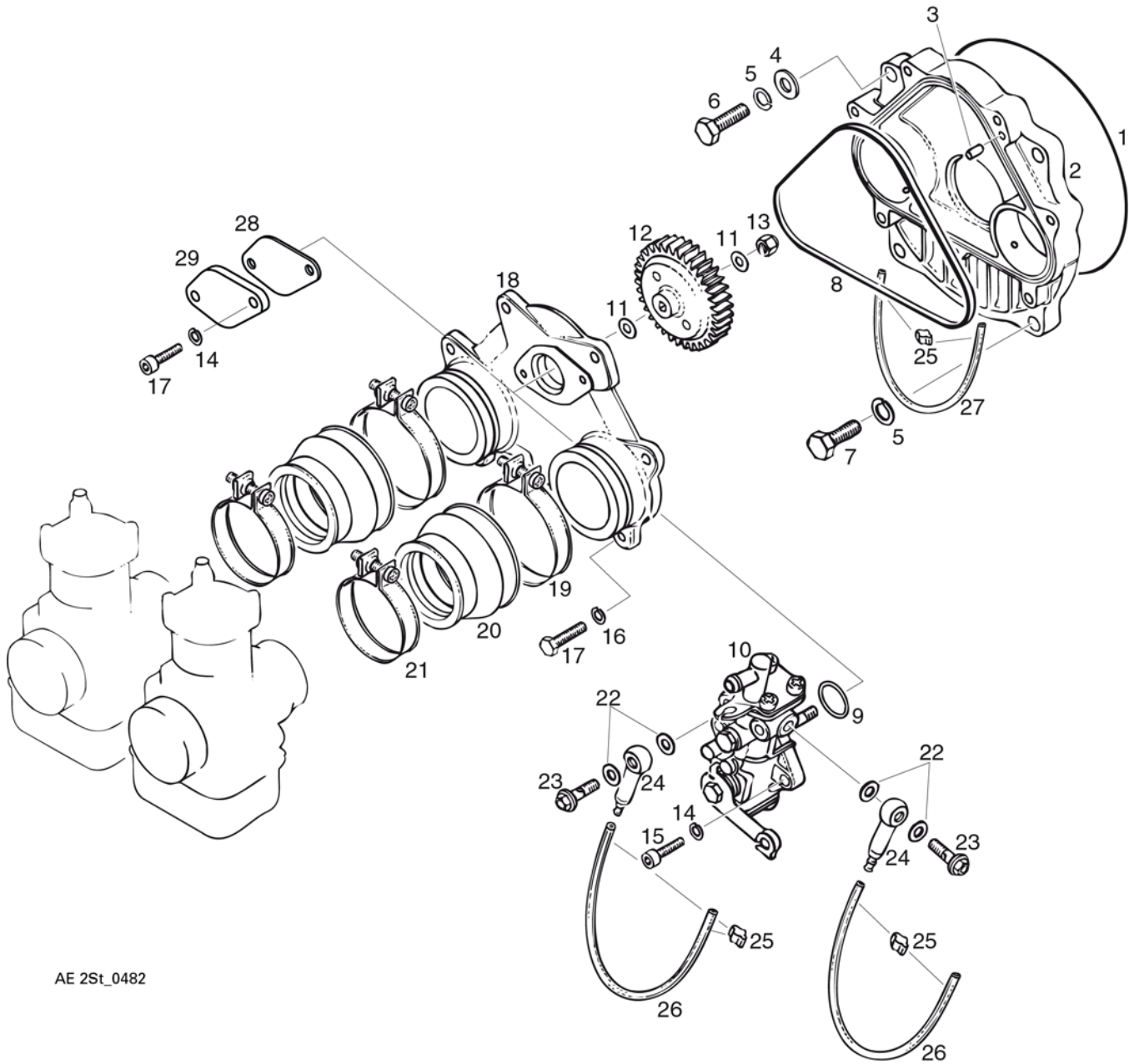
d06482.fm

BRP-Rotax
ILLUSTRATED PARTS CATALOG

INTENTIONALLY LEFT BLANK

d06842.fm

BRP-Rotax
ILLUSTRATED PARTS CATALOG



AE 2St_0482

Fig. 79-00-00-2

d06842.fm

BRP-Rotax

ILLUSTRATED PARTS CATALOG

Chapter) 79-00-00

ROTARY VALVE COVER, OIL PUMP DRIVE, OIL PUMP

FIG & ITEM NO.	STATUS	PART NO.	INDENT	Description	Parts per Engine	
					582 UL mod. 99	582 UL mod. 17
2 1		831360	.1	O-RING 132-1.7	1	1
2		811941	.1	ROTARY VALVE COVER ASSY.	1c	1c
3		929560	.1	DOWEL TUBE 2x8	1	1
4		250315	.1	WASHER 8.4	2	2
5		945832	.1	LOCK WASHER A8	4	4
6		240276	.1	HEX. SCREW M8x25	2	2
7	s.v.	940591	.1	HEX. SCREW M8x20	2	2
7		940592	.1	HEX. SCREW M8x20	2	2
8		831700	.1	RUBBER RING 126x1.5x3.5	1	1
9		230370	.1	O-RING 18x1.3	1	1
10		995527	.1	OIL PUMP ASSY.	1	1
11		927945	.1	WASHER 6.2/12/1	2	2
12		935940	.1	OIL PUMP GEAR 44 T.	1	1
13		842040	.1	LOCK NUT M6	1	1
14		945750	.1	LOCK WASHER A5	2	2
15		240761	.1	SLOTTED HEAD SCREW M5x16	2	2
16		945751	.1	LOCK WASHER A6	7	7
17		940562	.1	HEX. SCREW M6x20	7	7
18		910320	.1	PUMP MOUNTING FLANGE	1	1
19		851065	.1	CLAMP 62	2	2
20		867696	.1	CARBURETOR SOCKET	2	2
21		951400	.1	HOSE CLAMP 53	2	2
22		227500	.1	GASKET RING 6.2/12/1	4	4
23		241830	.1	BANJO BOLT M6x16	2	2

- Items not illustrated

d06842.fm

BRP-Rotax
ILLUSTRATED PARTS CATALOG

FIG & ITEM NO.	STATUS	PART NO.	INDENT	Description	Parts per Engine	
					582 UL mod. 99	582 UL mod. 17
24		956010	.1	CHECK VALVE ASSY.	2	2
25		853840	.1	CLAMP 3-5 MM (0.12-0.20 IN)	AR	AR
26-27	s.v. N	960040 201240	.1	OIL LINE 2.2+/-0.1x4.3+0.4	ARb	ARb
26		-	..2	OIL LINE 170 MM (6.69 IN)	2b	2b
27		-	..2	OIL LINE 120 MM (4.27 IN)	1b	1b
28		931566	.1	GASKET	1a	1a
29		810827	.1	COVER PLATE	1a	1a

- Items not illustrated

- a For configuration without oil pump.
- b In a roll.
- c From engine S/N 5381289.

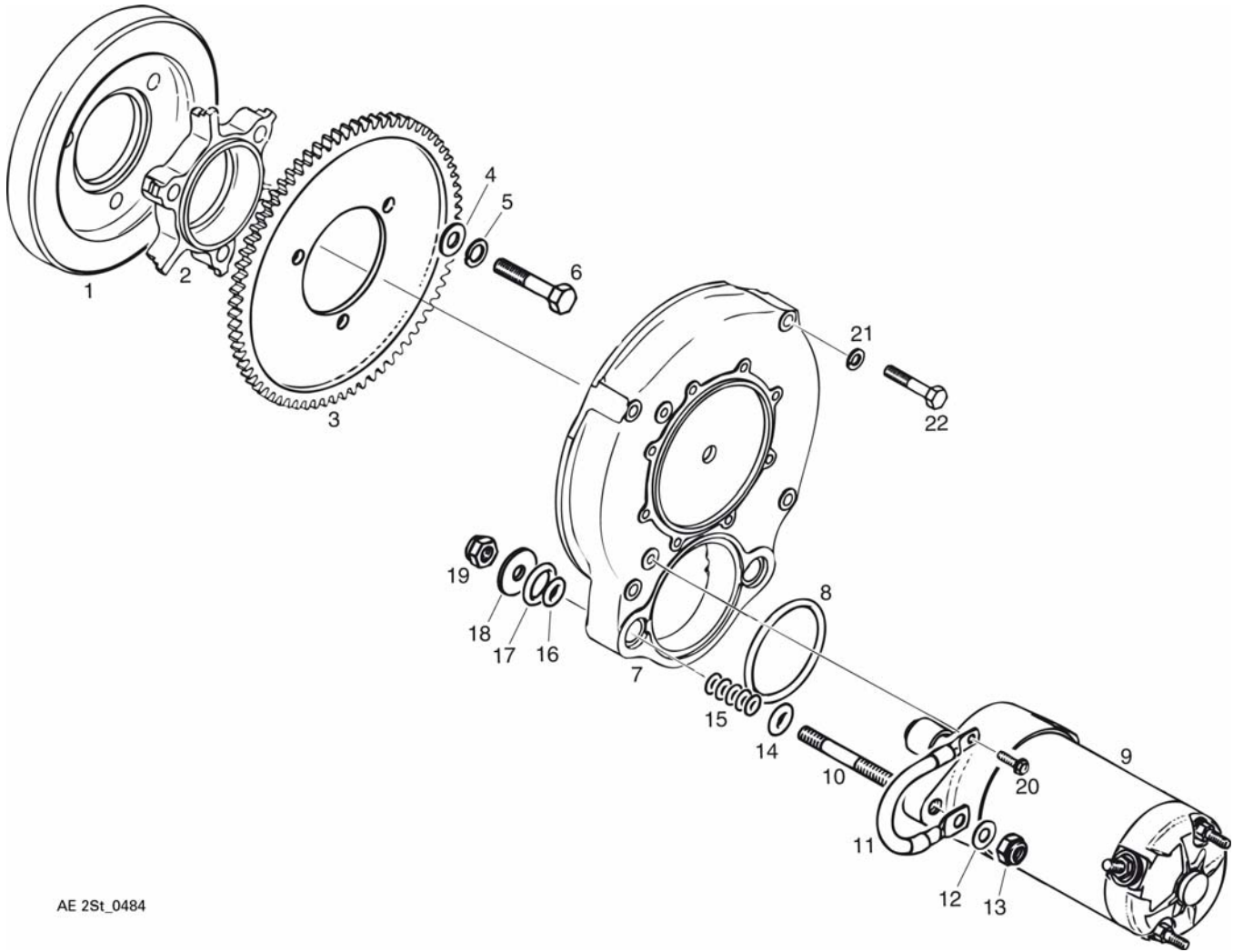
d06842.fm

BRP-Rotax
ILLUSTRATED PARTS CATALOG

INTENTIONALLY LEFT BLANK

d06843.fm

BRP-Rotax
ILLUSTRATED PARTS CATALOG



AE 2St_0484

Fig. 80-10-00-2

d06843.fm

BRP-Rotax

ILLUSTRATED PARTS CATALOG

Chapter) 80-10-00

ELECTRIC STARTER, CONFIGURATION MAGNETO SIDE

FIG & ITEM NO.	STATUS	PART NO.	INDENT	Description	Parts per Engine	
					582 UL mod. 99	582 UL mod. 17
2 1		965499	.1	HYDRO DAMPER ASSY.	1	1
2		852378	.1	STARTER GEAR ADAPTER	1	1
3		834053	.1	STARTER GEAR 61 T.	1	1
4		250315	.1	WASHER 8.4	3	3
5		945832	.1	LOCK WASHER A8	3	3
6		940616	.1	HEX. SCREW M8x40	3	3
7-20		995928	.1	ELECTRIC STARTER SET	1	1
7		910731	..2	STARTER COVER	1	1
8		850390	..2	O-RING 60-4	1	1
9		995431	..2	ELECTRIC STARTER ASSY.	1	1
10		841950	..2	STUD M8x43/23	2	2
11		966031	..2	MASS CABLE 80 MM ASSY.	1	1
12		944038	..2	WASHER 8.4/14/1	1	1
13		942031	..2	LOCK NUT	2a	2a
14		850585	..2	O-RING 8x5	2	2
15		230260	..2	O-RING 6x3	10	10
16		850580	..2	O-RING 8x4	2	2
17		850590	..2	O-RING 16-4	2	2
18		827910	..2	WASHER 8.2/26.3/2	2	2
19		942031	..2	LOCK NUT M8	2a	2a
20		941935	..2	TAPTITE SCREW M5x8	1	1
21		445331	.1	LOCK WASHER VHZ 6	4	4
22		240632	.1	HEX.SCREW M6x40	4	4

- Items not illustrated

- a Tighten and leave 1 mm distance between starter cover and electric starter.

d06843.fm

BRP-Rotax
ILLUSTRATED PARTS CATALOG

INTENTIONALLY LEFT BLANK

d06843.fm

BRP-Rotax
ILLUSTRATED PARTS CATALOG

INTENTIONALLY LEFT BLANK

d06844.fm

BRP-Rotax
ILLUSTRATED PARTS CATALOG

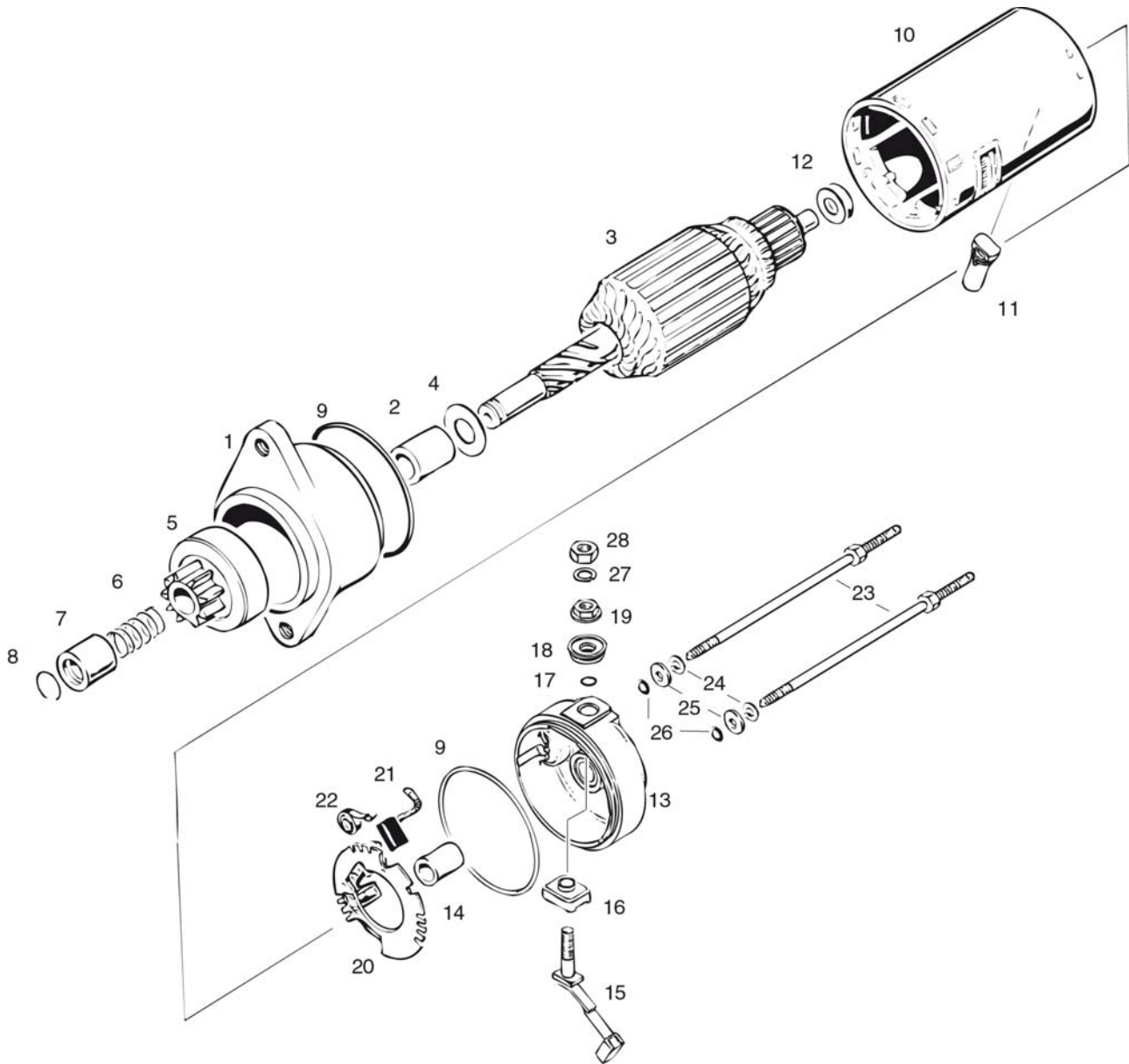


Fig. 80-10-00-3

04175

BRP-Rotax

ILLUSTRATED PARTS CATALOG

Chapter) 80-10-00

ELECTRIC STARTER-SINGLE PARTS, CONFIGURATION MAGNETO SIDE

FIG & ITEM NO.	STATUS	PART NO.	INDENT	Description	Parts per Engine	
					582 UL mod. 99	582 UL mod. 17
3 1-26		995431	.1	ELECTRIC STARTER ASSY.	1	1
1-2		866880	..2	DRIVE HOUSING ASSY.	1	1
2		.	..2	BUSHING	1a	1a
3		866870	..2	ROTOR ASSY.	1	1
4		927057	..2	TRUST WASHER 15.3/24/1	1	1
5		866850	..2	OVERRUNNING-CLUTCH DRIVE ASSY.	1	1
6		939030	..2	SPRING	1	1
7		927040	..2	STOP COLLAR	1	1
8		845360	..2	CIRCLIP	1	1
9		850500	..2	O-RING 62-1.5	2	2
10		866860	..2	YOKE ASSY.	1	1
11		860600	..2	VENTING RUBBER	1	1
12		827600	..2	SHIM	AR	AR
13		.	..2	END FRAME WITH SLEEVE	1b	1b
14		.	..2	BUSHING	1c	1c
15		866892	..2	CARBON BRUSH WITH SCREW	1	1
16		260820	..2	ISOLATING BUSHING	1	1
17		230530	..2	O-RING 6x1.7	1	1
18		260800	..2	CONNECTOR SHEATH	1	1
19		242780	..2	COMBINED NUT M6	1	1
20-22		866890	..2	BRUSH HOLDER WITH SPRINGS	1	1
21		.	..2	BRUSH	1d	1d
22		.	..2	SPRING	1e	1e
23		841860	..2	SCREW M5	2	2

- Items not illustrated

d06844.fm

BRP-Rotax
ILLUSTRATED PARTS CATALOG

FIG & ITEM NO.	STATUS	PART NO.	INDENT	Description	Parts per Engine	
					582 UL mod. 99	582 UL mod. 17
24		945750	..2	LOCK WASHER A5	2	2
25		827801	..2	WASHER A 5.5	2	2
26		850510	..2	O-RING 4.7x1.4	2	2
27		945751	.1	LOCK WASHER A6	1	1
28		242211	.1	HEX. NUT M6	1	1

- Items not illustrated

- a Bushing, not available as spare part, use drive housing assy. part no. 866880.
- b End frame with sleeve, not available as spare part, use end frame assy. part no. 866900.
- c Bushing, not available as spare part, use drive housing assy. part no. 866900.
- d Brush, not available as spare part, use brush holder assy. part no. 866890.

d06844.fm

BRP-Rotax
ILLUSTRATED PARTS CATALOG

INTENTIONALLY LEFT BLANK

d06637.fm

BRP-Rotax
ILLUSTRATED PARTS CATALOG

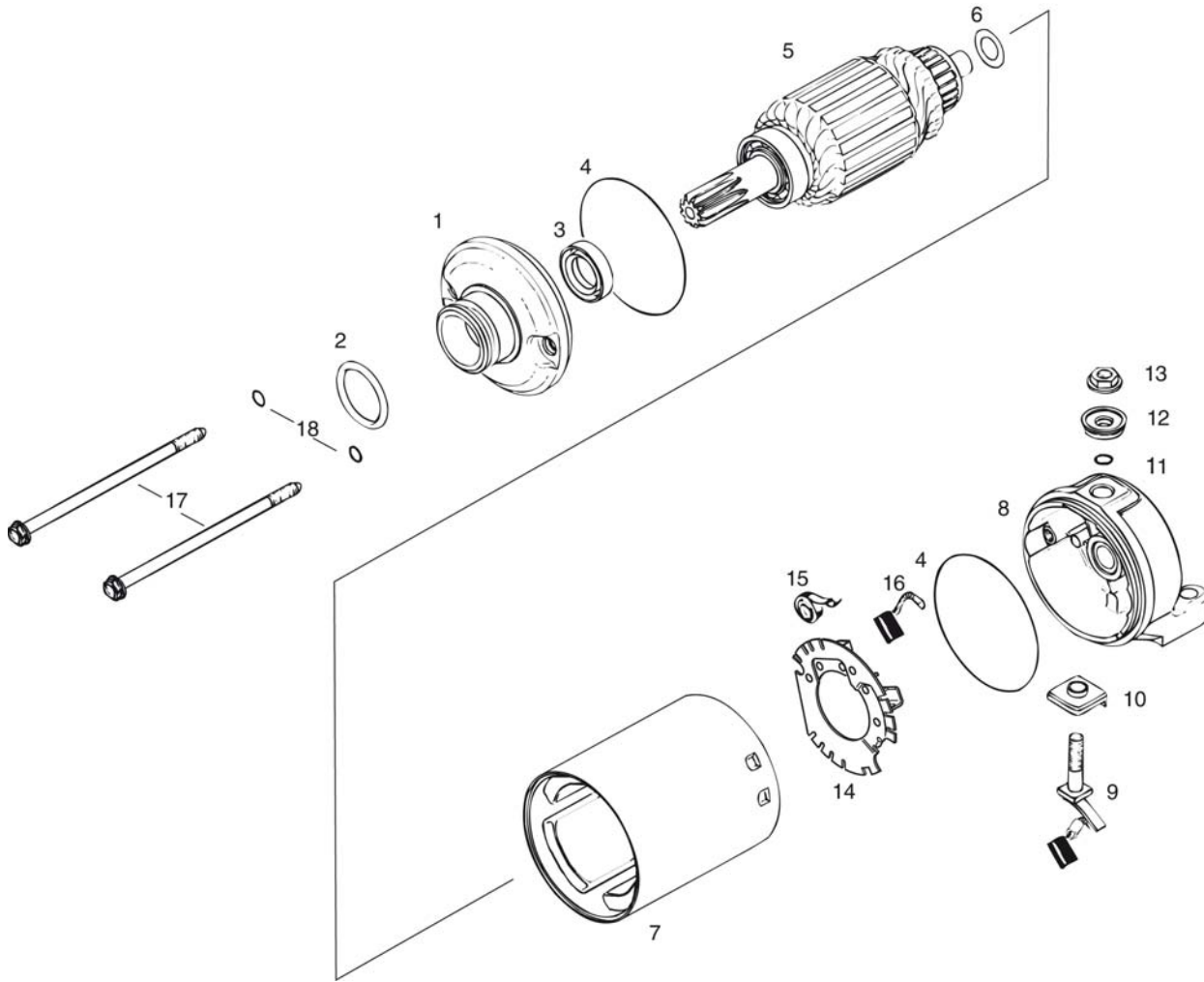


Fig. 80-10-00-4

04176

d06637.fm

BRP-Rotax

ILLUSTRATED PARTS CATALOG

Chapter) 80-10-00

ELECTRIC STARTER-SINGLE PARTS, INT. IN REDUCTION GEAR "E"

FIG & ITEM NO.	STATUS	PART NO.	INDENT	Description	Parts per Engine	
					582 UL mod. 99	582 UL mod. 17
1	1-19	685975	.1	ELECTRIC STARTER ASSY.	1	1
1		.	.1	SUPPORT	1	1
2		250140	.1	O-RING 24.4x3.1-N NBR70	1	1
3		250130	.1	OIL SEAL 15X24X5 NBR	1	1
4		850500	.1	O-RING 62x1.5-N, NBR70	1	1
5		.	.1	ROTOR ASSY.	1	1
6		827600	.1	SHIM	AR	AR
7	n.a.	264151	.1	STATOR YOKE ASSY.	1	1
8		.	.1	ROTOR SUPPORT ASSY.	1	1
9		264184	.1	CARBON BRUSH ASSY.	1	1
10		260810	.1	CONNECTOR SHEATH	1	1
11		230530	.1	O-RING 6x1.7	1	1
12		260800	.1	CONNECTOR SHEATH	1	1
13		242780	.1	COMBINED NUT M6	1	1
14-16		866891	.1	BRUSH HOLDER WITH SPRING	1	1
15		.	..2	SPRING	1a	1a
16		.	..2	BRUSH	1a	1a
17	n.a.	241137	.1	HEX. COLLAR SCREW M5x100	2	2
18		850510	.1	O-RING 4.7x1.4	2	2
19		232260	.1	B. BEARING R6002 Z	1	1

- Items not illustrated

a Brush - not available as spare part, use brush holder assy. 866891.

d06637.fm

BRP-Rotax
ILLUSTRATED PARTS CATALOG

INTENTIONALLY LEFT BLANK

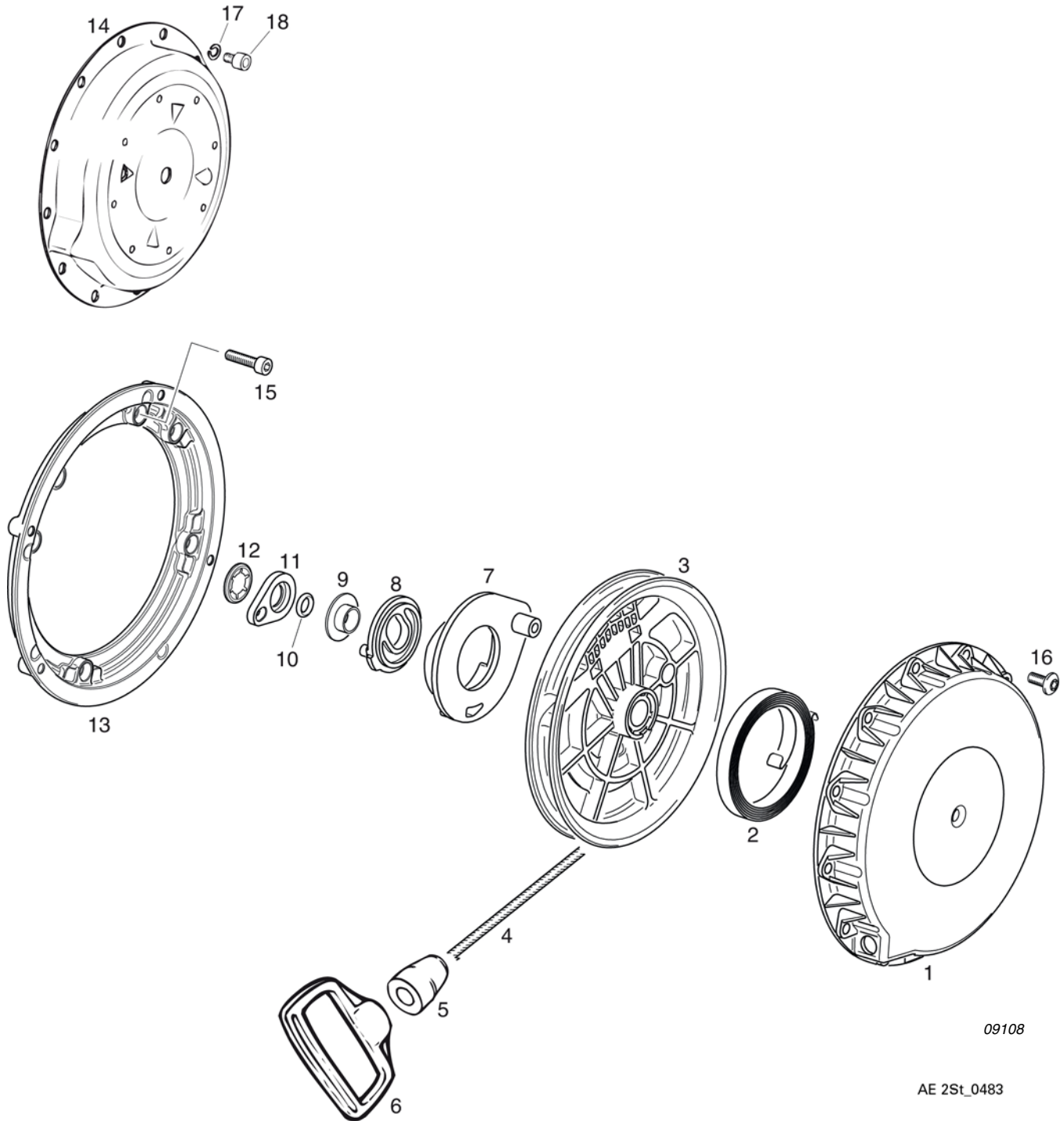
d06637.fm

BRP-Rotax
ILLUSTRATED PARTS CATALOG

INTENTIONALLY LEFT BLANK

d06845.fm

BRP-Rotax
ILLUSTRATED PARTS CATALOG



09108

AE 2St_0483

Fig. 80-20-00-1

d06845.fm

BRP-Rotax
ILLUSTRATED PARTS CATALOG

Chapter) 80-20-00
REWIND STARTER

					Parts per Engine	
FIG & ITEM NO.	STATUS	PART NO.	INDENT	Description	582 UL mod. 99	582 UL mod. 17
1	1-12	892800	.1	REWIND STARTER SET	1bd	1bd
	1-12	892802	.1	REWIND STARTER SET	1ad	1ad
	1	910251	..2	STARTER HOUSING	1	1
	2	939115	..2	REWIND SPRING	1	1
	3	852286	..2	ROPE SHEAVE	1d	1d
	4	n.a. 852490	..2	STARTER ROPE WHITE-RED DIA. 3/16"	ARa	ARa
	4	N 852650	..2	STARTER ROPE 4.5 MM	ARc	ARc
	5	960415	..2	RUBBER BUFFER	1	1
	6	852177	..2	STARTER GRIP	1	1
	7	852630	..2	PAWL	1	1
	8	852305	..2	PAWL LOCK	1	1
	9	847926	..2	STEP COLLAR	1	1
	10	250400	..2	O-RING 12x3.5	1	1
	11	852520	..2	LOCK LEVER	1	1
	12	845560	..2	LOCKING ELEMENT	1	1
	13	810866	.1	CONNECTING FLANGE	1	1
	14	810380	.1	IGNITION COVER	1	1
	15	241232	.1	ALLEN SCREW M6x16	4	4
	16	N 941257 s.v. 941256	.1	TAPTITE SCREW M6x20 T	4	4
	17	N 945831 s.v. 945751	.1	LOCK WASHER A6	4	4
	18	241237	.1	ALLEN SCREW M6x16	4	4

- Items not illustrated

d06845.fm

BRP-Rotax

ILLUSTRATED PARTS CATALOG

- a Starter rope 3700 mm / 145.67 in.
- b Starter rope 2200 mm / 86.61 in.
- c In a roll.
- d Modified rope fixation: knot instead of key clamp (from engine S/N 5742150).

NOTICE:

If using the new rewind starter without knot, please use the new rope sheave (3).

d06845.fm

ROTAX®

Engine serial no.

Type of aircraft

Aircraft registration no.

Rotax® authorized distributor



FLYROTAX.COM

® and TM are trademarks of BRP-Rotax GmbH & Co KG.
© 2020 BRP-Rotax GmbH & Co KG. All rights reserved.

